

PARTS LIST

MX33H

CONTENTS

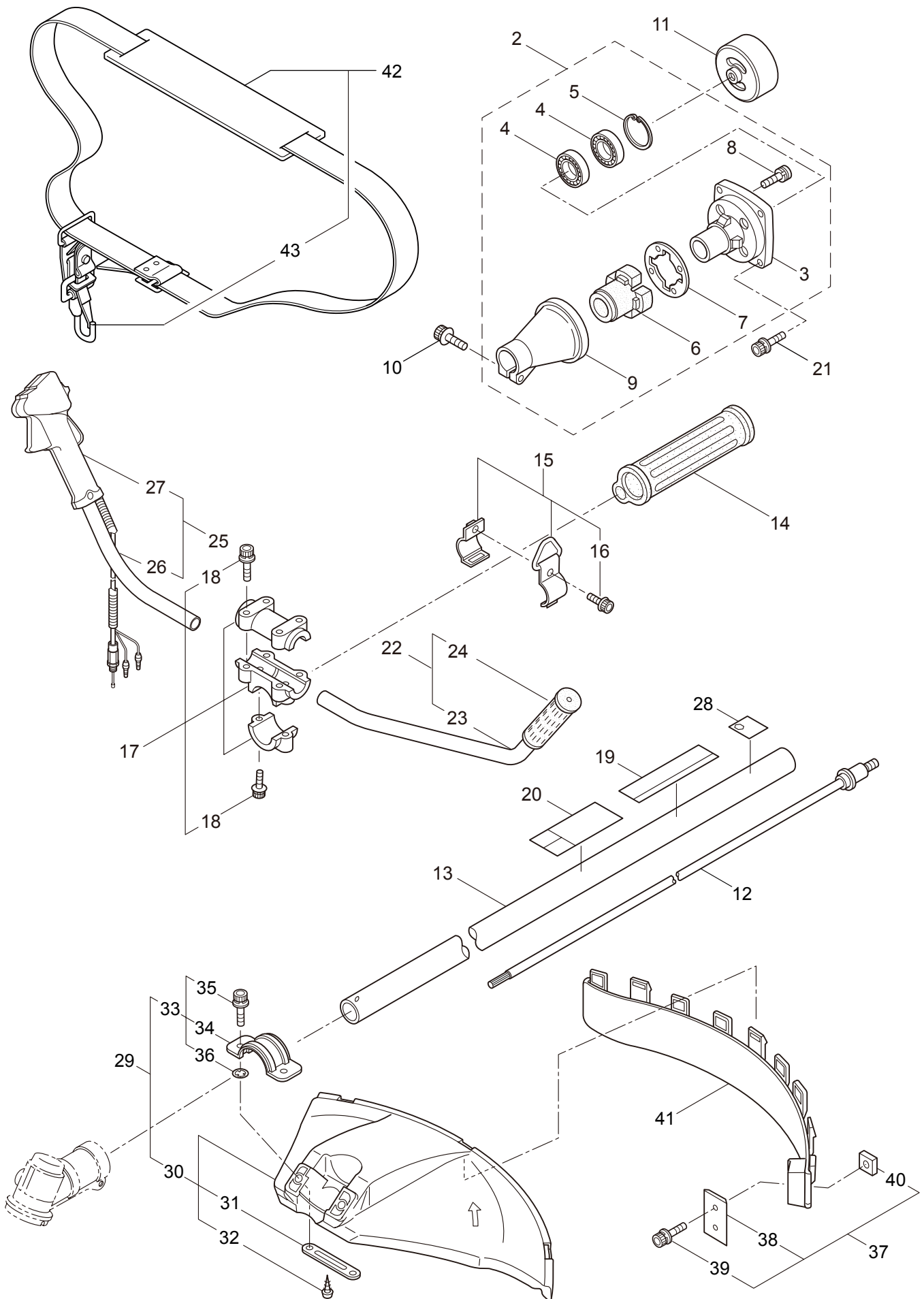
1. MAIN BODY	1 ~ 2
2. GEARCASE	3 ~ 4
3. ENGINE	5 ~ 8
4. CARBURETOR, FUEL TANK	9 ~ 10
5. ACCESSORIES	11 ~ 12

2012. 11.



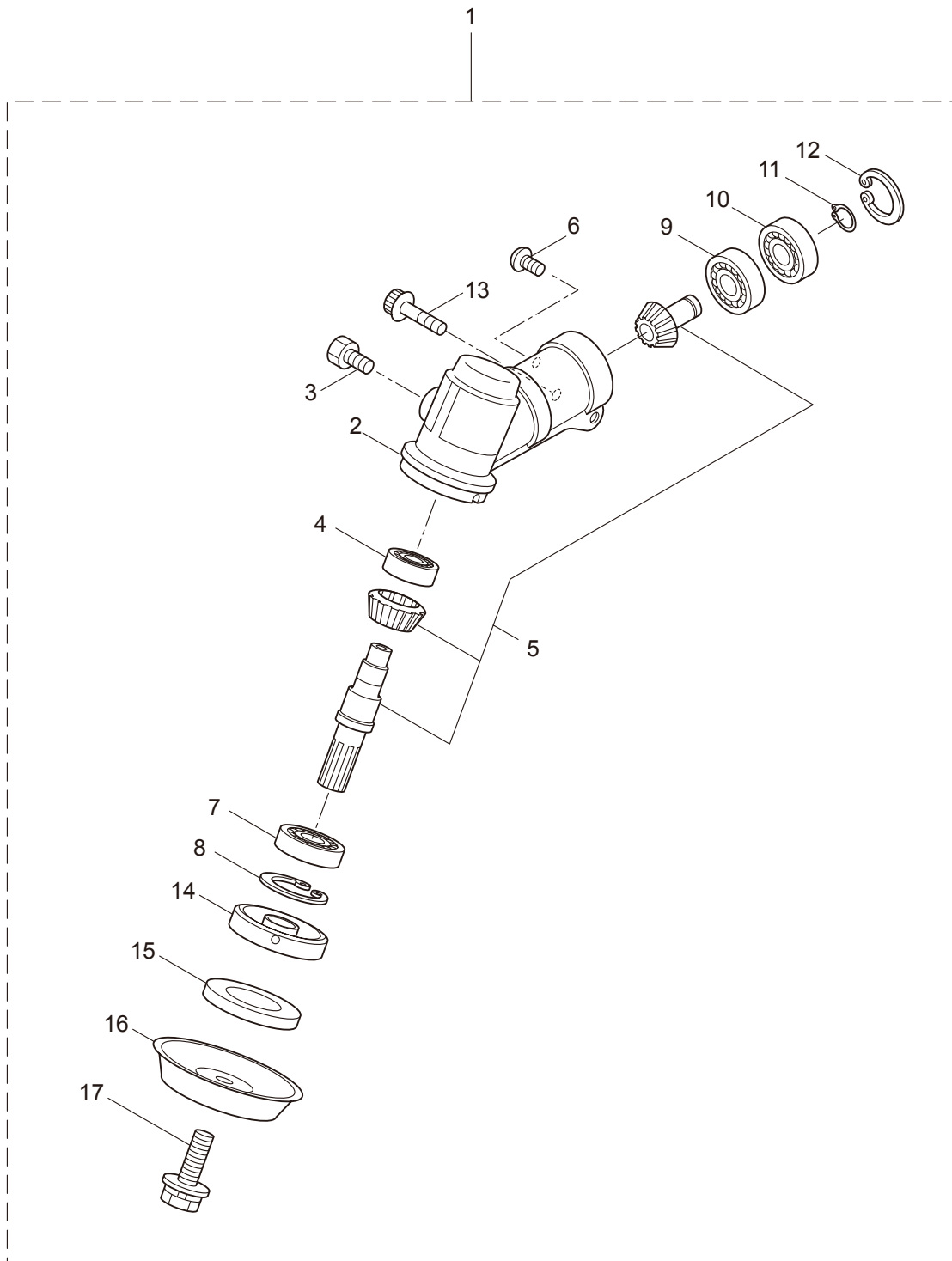
P/N 523271-2

1. MX33H
MAIN BODY



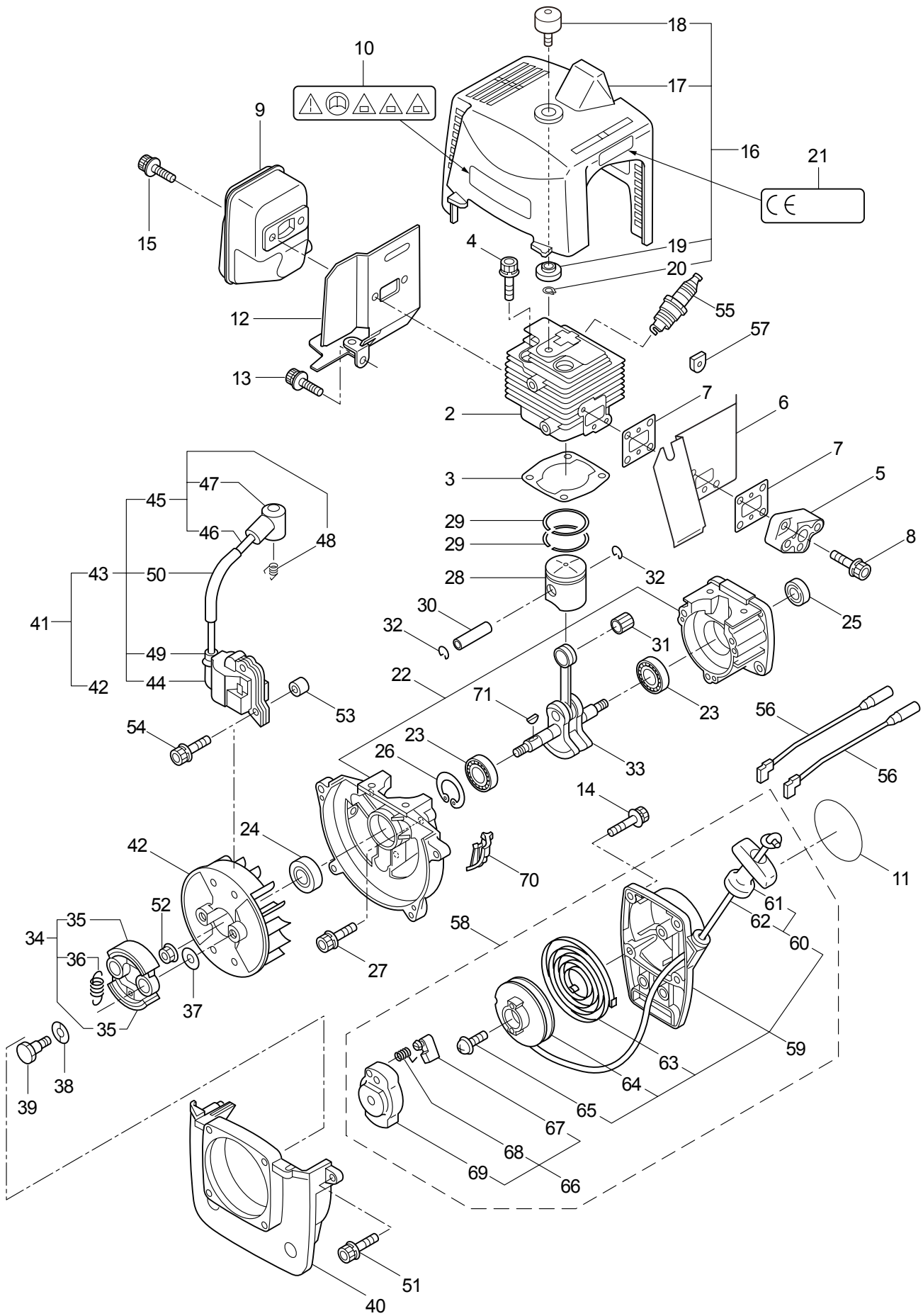
Ref. No.	Part No.	Part Name	Q'ty	Remarks
1-1	363912	MX33H-01	1	
1-1	363923	MX33H-02	1	
1-2	215512	Clutch Case Ass'y	1	Incl.3-9
1-3	214592	Bearing Case	1	
1-4	214161	Bearing	2	#6000ZZ
1-5	054676	Snap Ring	1	#26
1-6	214162	Buffer	1	
1-7	214163	Washer	1	
1-8	092033	Screw	4	M5x15
1-9	214593	Driveshaft Tube Adapter	1	
1-10	261246	Cap Screw	1	M5x25
1-11	054677	Clutch Drum	1	
1-12	219268	Driveshaft Ass'y	1	
1-13	218711	Driveshaft Tube	1	
1-14	215532	Shaft Grip	1	
1-15	215533	Hanging Bracket Ass'y	1	Incl.16
1-16	261762	Cap Screw	1	M5x14
1-17	216935	Bracket Ass'y	1	Incl.18
1-18	261246	Cap Screw	6	M5x25
1-19	233304	Label	1	MX33H
1-20	223188	Label	1	
1-21	261250	Cap Screw	4	M5x20
1-22	229859	Handle Ass'y-Left	1	Incl.23,24
1-23	221441	Handle	1	
1-24	226503	Grip	1	
1-25	229072	Handle Ass'y-Right	1	Incl.26,27
1-26	223286	Handle	1	
1-27	229004	Throttle Trigger	1	
1-28	228043	Label	1	
1-29	232086	Safety Cover Ass'y	1	Incl.30-36
1-30	231252	Safety Cover Ass'y	1	Incl.31,32
1-31	227819	Bracket	1	
1-32	221580	Screw	1	4x8
1-33	232087	Bracket Ass'y	1	Incl.34-36
1-34	227822	Bracket	1	
1-35	220632	Cap Screw	2	M6x30
1-36	231704	Washer	2	6x13xt1.0
1-37	231882	String Cutter Ass'y	1	Incl.38-40
1-38	230747	String Cutter	1	
1-39	261250	Cap Screw	1	M5x20
1-40	228325	Nut	1	
1-41	230748	Cover Extention	1	
1-42	220533	Hanging Strap Ass'y	1	Incl.43
1-43	231657	Hook	1	

2. MX33H
GEARCASE



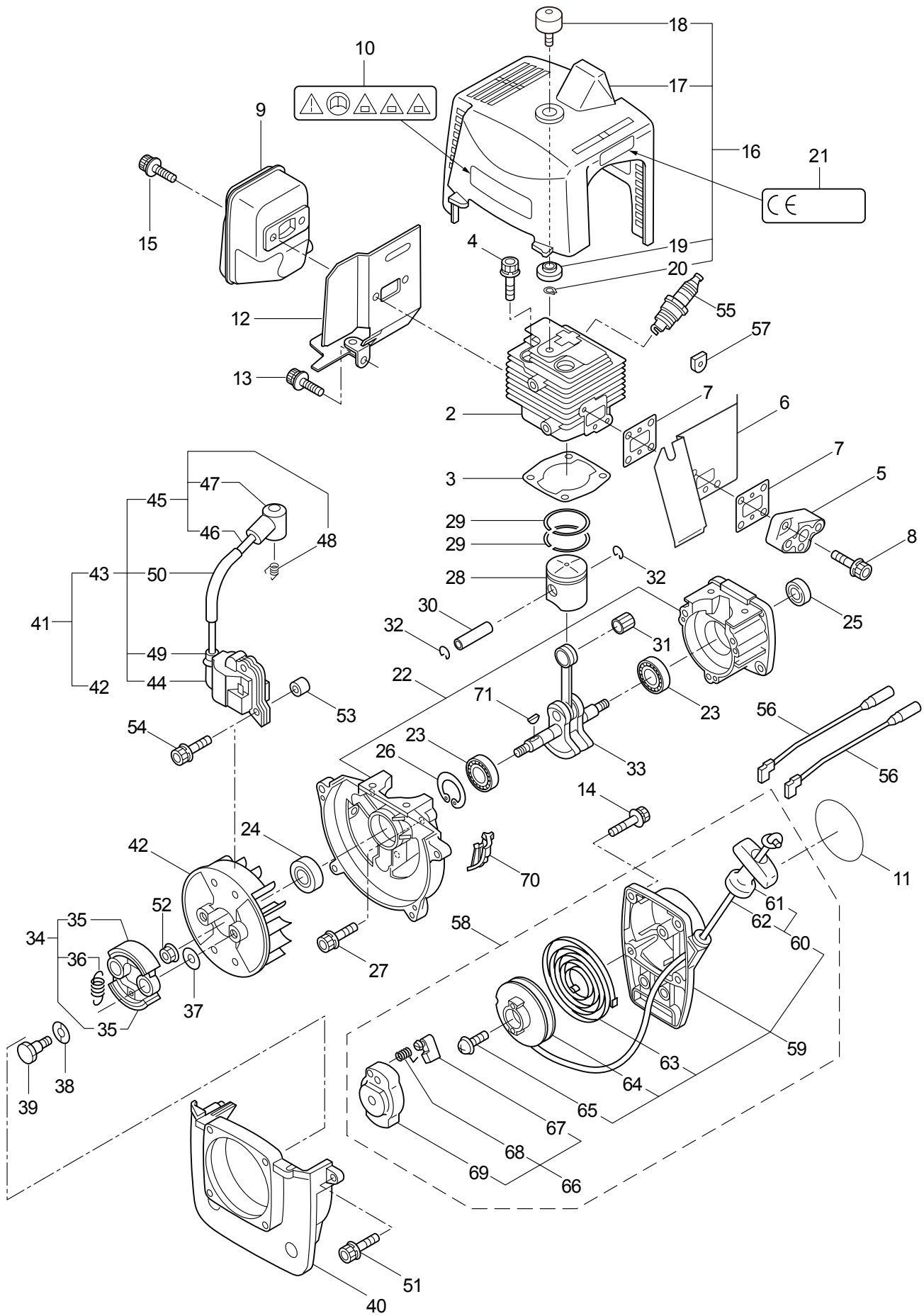
Ref. No.	Part No.	Part Name	Q'ty	Remarks
2-1	231880	Gearcase Ass'y	1	Incl.2-17
2-2	225960	Gearcase	1	
2-3	234109	Bolt	1	M8x8
2-4	227990	Bearing	1	#608
2-5	228416	Gear Set	1	
2-6	219087	Cap Screw	1	M5x10
2-7	227991	Bearing	1	#6001DDU
2-8	055185	Snap Ring	1	#28
2-9	227992	Bearing	1	#609
2-10	227993	Bearing	1	#609Z
2-11	228477	Snap Ring	1	#9
2-12	140270	Snap Ring	1	#24
2-13	261246	Cap Screw	1	M5x25
2-14	212986	Boss Adapter	1	
2-15	140275	Clamping Washer	1	
2-16	215547	Stabilizer	1	
2-17	215610	Bolt	1	M8x22,Counterclockwise

3. MX33H ENGINE



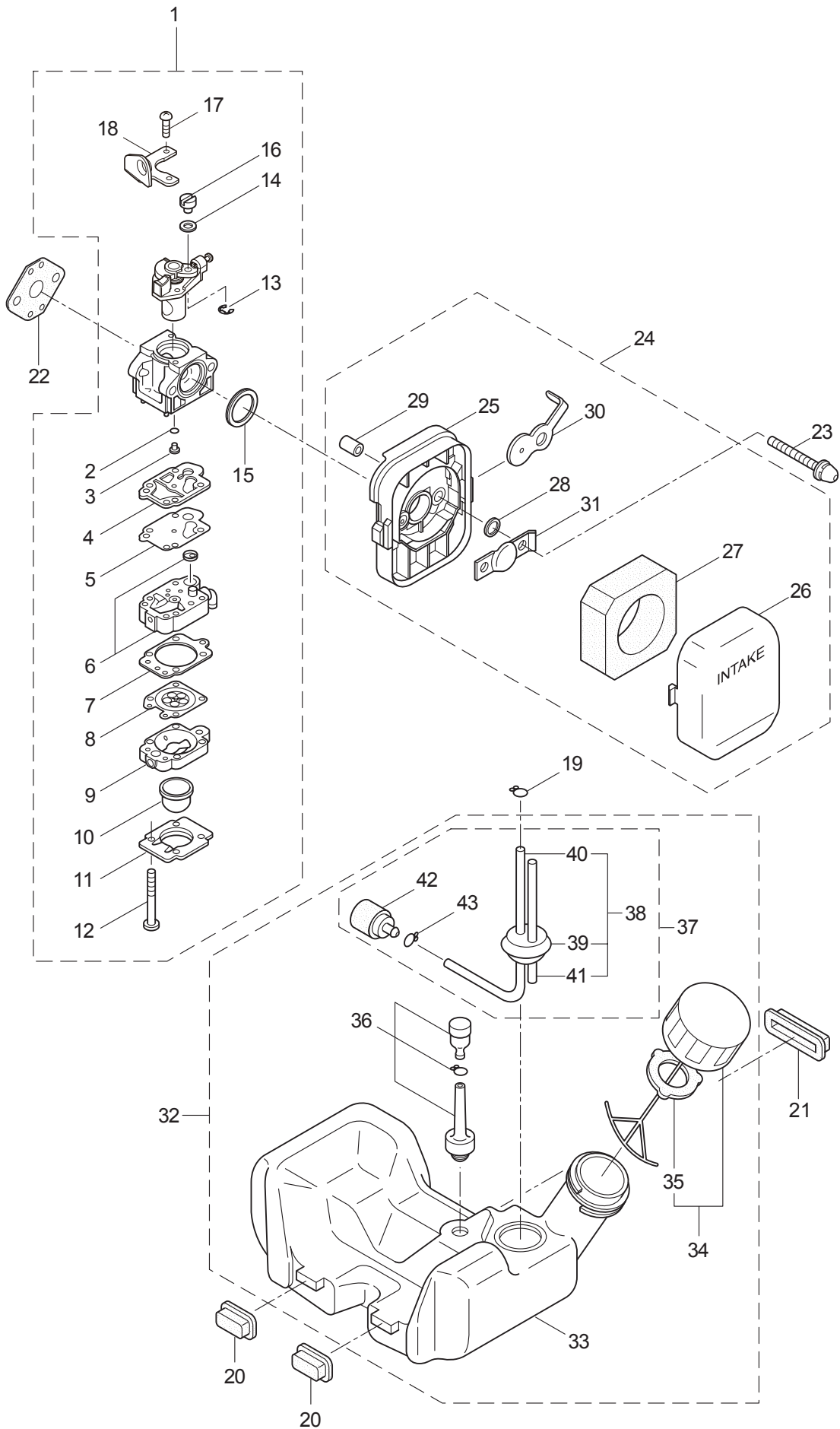
Ref. No.	Part No.	Part Name	Q'ty	Remarks
3-1	858984	Engine	1	AE320/163
3-2	261360	Cylinder	1	New gasket required
3-3	261528	Gasket	1	
3-4	261250	Cap Screw	4	M5x20
3-5	261938	Insulator	1	New gasket required
3-6	261364	Air Duct	1	
3-7	261171	Gasket	2	
3-8	265924	Cap Screw	2	M5x25
3-9	280619	Muffler	1	
3-10	265694	Label	1	
3-11	288701	Label	1	AE320
3-12	261833	Gasket	1	
3-13	261607	Cap Screw	1	M5x16
3-14	261257	Cap Screw	4	M4x16
3-15	266402	Cap Screw	2	M5x55
3-16	286422	Top Cover Ass'y	1	Incl.17-20
3-17	265305	Top Cover	1	
3-18	286300	Knob	1	
3-19	261020	Spacer	1	
3-20	261734	Snap Ring	1	#5
3-21	267561	Label	1	
3-22	261379	Crankcase	1	
3-23	261384	Bearing	2	#6201C3
3-24	261385	Oil Seal	1	ISCD12327
3-25	261386	Oil Seal	1	ISCD12227
3-26	016732	Snap Ring	1	#32
3-27	261612	Cap Screw	3	M5x30
3-28	266980	Piston	1	
3-29	261390	Piston Ring	2	(2)Required
3-30	261555	Piston Pin	1	7x10x31.5L
3-31	261392	Bearing,Needle	1	KBK10x14x12.5x1
3-32	261393	Clip,Piston Pin	2	
3-33	261395	Crankshaft/Conn.Rod Ass'y	1	
3-34	264503	Clutch Ass'y	1	Incl.35,36
3-35	264504	Clutch Shoe	2	(2)Required
3-36	263614	Spring,Clutch	1	
3-37	261189	Washer	2	6x16.5x1.2
3-38	261777	Wave Washer	2	
3-39	264505	Bolt	2	
3-40	281325	Fan Cover	1	
3-41	267391	Magneto Ass'y	1	Incl.42-50
3-42	261356	Rotor/Fan	1	
3-43	267400	Ignition Coil Ass'y	1	Incl.44-50
3-44	267401	Coil	1	
3-45	267403	Spark Plug Wire Ass'y	1	Incl.46-48

3. MX33H ENGINE



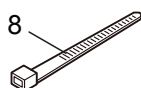
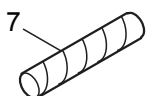
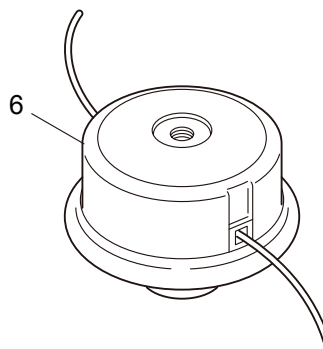
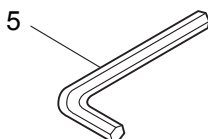
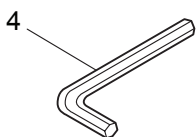
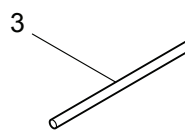
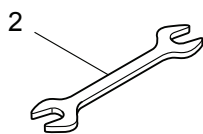
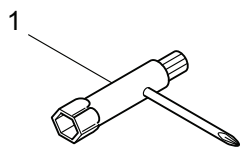
Ref. No.	Part No.	Part Name	Q'ty	Remarks
3-46	267404	Spark Plug Wire	1	
3-47	261074	Plug Boot	1	
3-48	261075	Connector	1	
3-49	261072	Cap	1	
3-50	269418	Insulator	1	
3-51	261250	Cap Screw	4	M5x20
3-52	261417	Nut,Rotor	1	M8
3-53	280381	Spacer	2	
3-54	261256	Cap Screw	2	M4x25
3-55	262483	Spark Plug	1	NGK BPMR6Y
3-56	267492	Lead	2	130L
3-57	261202	Grommet	1	
3-58	261419	Recoil Starter Ass'y	1	Incl.59-69
3-59	261420	Recoil Ass'y	1	Incl.60-65
3-60	261723	Rope Ass'y	1	Incl.61,62
3-61	261725	Starter Grip	1	
3-62	261724	Starter Rope	1	3x890L
3-63	261721	Spiral Spring	1	
3-64	261720	Pulley	1	
3-65	262922	Screw	1	
3-66	263475	Starter Pawl Ass'y	1	Incl.67-69
3-67	263477	Pawl	1	
3-68	261728	Return Spring	1	
3-69	263476	Pawl Case	1	
3-70	265458	Screen	1	
3-71	261076	Woodruff Key	1	3x10

4. MX33H
 CARBURETOR, FUEL TANK

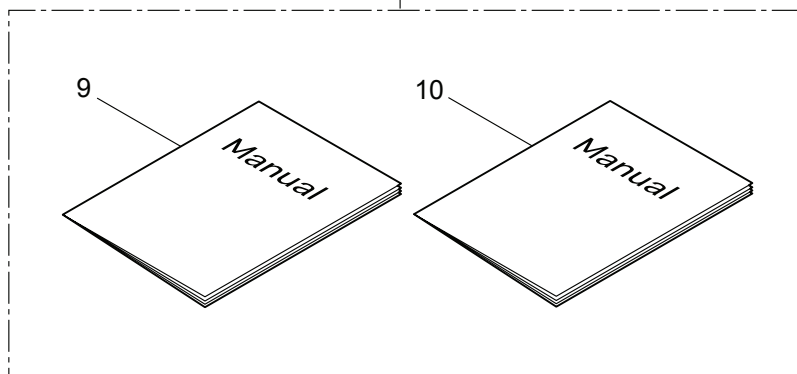


Ref. No.	Part No.	Part Name	Q'ty	Remarks
4-1	284085	Carburetor Ass'y	1	Incl.2-18 New gasket required
4-2	261871	O-Ring	1	
4-3	266175	Main Jet	1	#40.5
4-4	262995	Gasket	1	
4-5	262994	Diaphragm,Fuel Pump	1	
4-6	263739	Pump Body	1	
4-7	262993	Gasket	1	
4-8	261873	Diaphragm,Metering	1	
4-9	262991	Purge Body	1	
4-10	261874	Primer Bulb	1	
4-11	262992	Cover Plate	1	
4-12	262996	Screw	4	
4-13	261876	E-Ring	1	
4-14	264678	Washer	1	
4-15	261657	Packing	1	
4-16	261658	Swivel	1	
4-17	261875	Screw	2	
4-18	264677	Bracket	1	
4-19	261117	Clip	1	
4-20	261118	Pad	2	
4-21	261119	Pad	1	
4-22	261864	Gasket	1	
4-23	264016	Cap Screw	2	M5x60
4-24	262902	Air Filter Ass'y	1	Incl.25-31
4-25	263005	Housing	1	
4-26	262998	Cover	1	
4-27	263006	Element	1	
4-28	263000	Washer	1	
4-29	263001	Sleeve	2	
4-30	263007	Choke Valve	1	
4-31	263003	Plate	1	
4-32	268141	Fuel Tank Ass'y	1	Incl.33-43
4-33	261965	Fuel Tank	1	
4-34	262726	Fuel Tank Cap Ass'y	1	Incl.35
4-35	261105	Gasket	1	
4-36	261696	Breather Ass'y	1	
4-37	265752	Fuel Pipe Pick-up Ass'y	1	Incl.38-43
4-38	264031	Fuel Pipe Ass'y	1	Incl.39-41
4-39	261115	Grommet	1	
4-40	261690	Fuel Pipe	1	160L
4-41	263038	Return Pipe	1	3x6x85L
4-42	264653	Filter Ass'y	1	
4-43	261117	Clip	1	

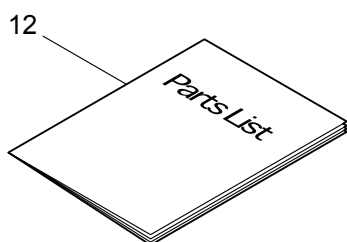
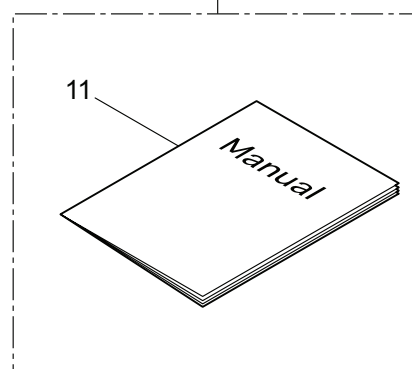
5. MX33H
ACCESSORIES



MX33H-01



MX33H-02



Ref. No.	Part No.	Part Name	Q'ty	Remarks
5-1	210418	Box Spanner	1	13x19x(+)
5-2	022865	Double-ended Wrench	1	8x10
5-3	210181	Lever Handle	1	3.5x170L
5-4	219432	Wrench	1	4mm
5-5	219433	Wrench	1	5mm
5-6	232226	Semi-Auto Head (L)	1	
5-7	234954	Colgate Tube	1	60L
5-8	234955	Band	1	2.5x100L
5-9	233234	Instruction Manual	1	GB/ES/PT
5-10	233326	Instruction Manual	1	FR/IT/DE
5-11	233336	Instruction Manual	1	
5-12	523271	Parts List	1	MX33H