

PARTS LIST

MX22EH

CONTENTS

1. PARTS KIT	1
2. MAIN BODY	3
3. GEAR CASE	5
4. ENGINE	7
5. RECOIL STARTER.....	11
6. CARBURETOR, FUEL TANK	13
7. ACCESSORIES	15

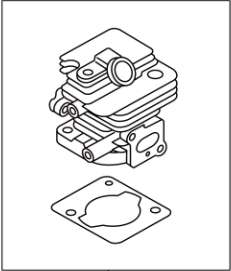
2021. 02.



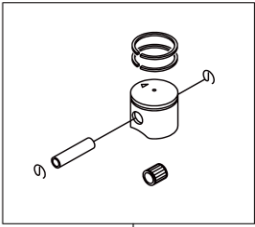
MARUYAMA

P/N 524719-1

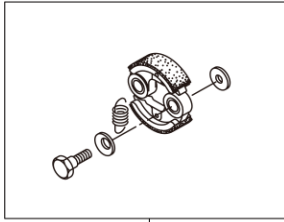
MX22EH
1. PARTS KIT



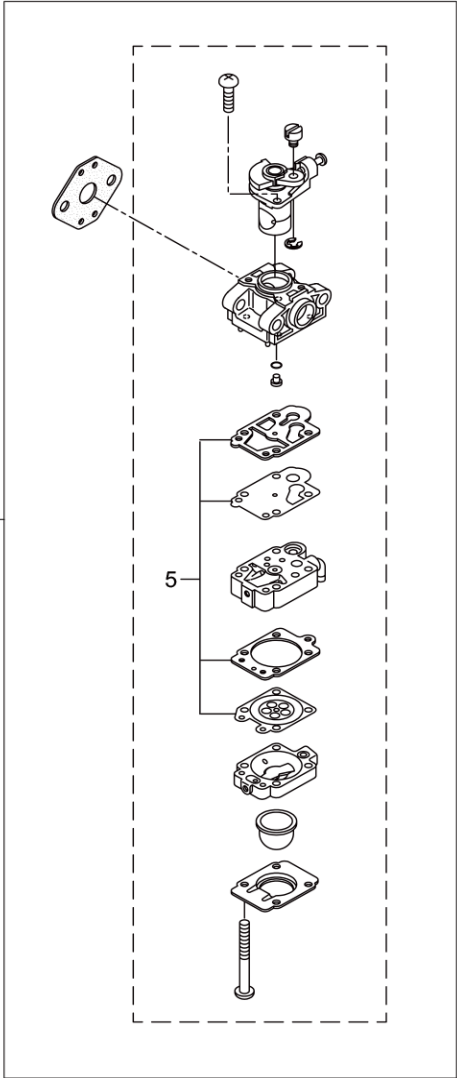
1



2

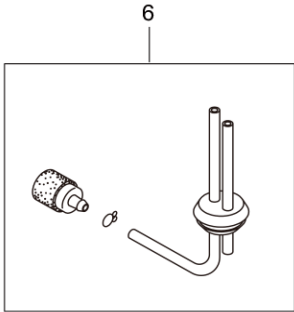


3



4

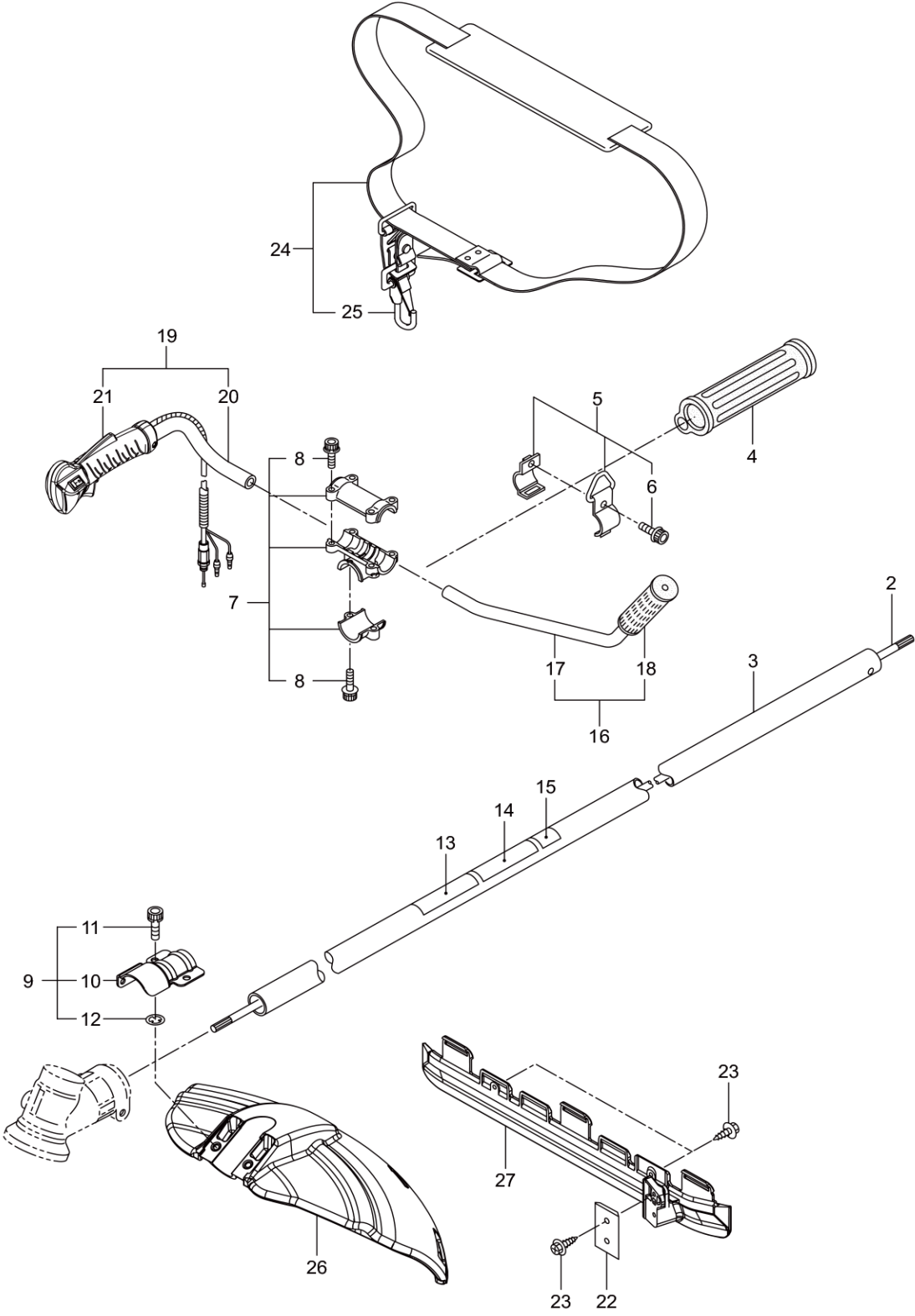
5



6

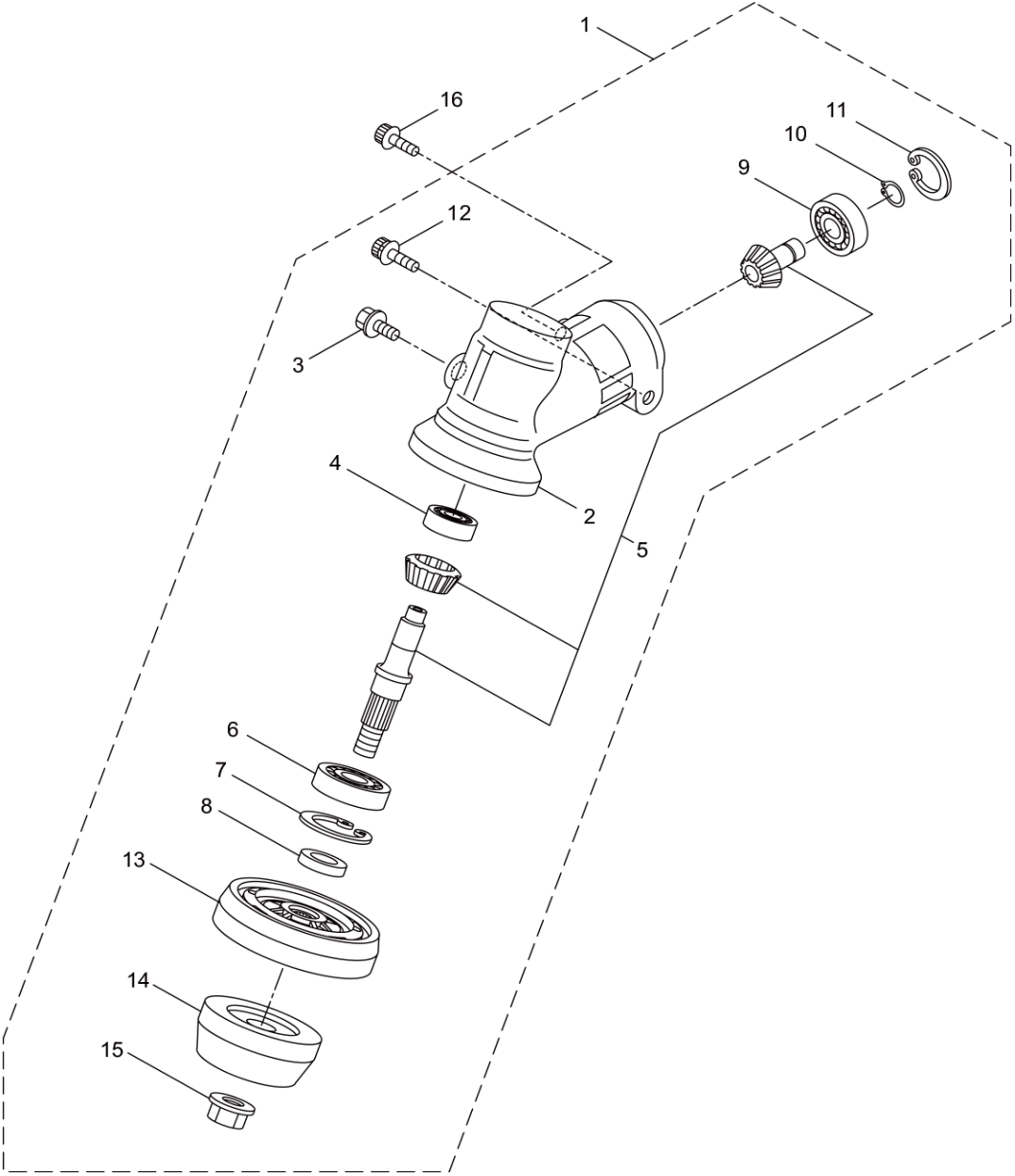
Status	Position	Parts Number	Parts Name	Unit Quantity	Set Unit Quantity	Specification	Remarks	Maker code
	1	247684	CYLINDER KIT	1	5			
	2	247685	PISTON KIT	1				
	3	246924	CLUTCH KIT	1	5			
	4	247873	CARBURETOR KIT	1	5		Incl.5	
	5	247867	CARBURETOR PARTS KIT	1	5			
	6	247864	FUEL HOSE/FILTER KIT	1	5			

MX22EH
2. MAIN BODY



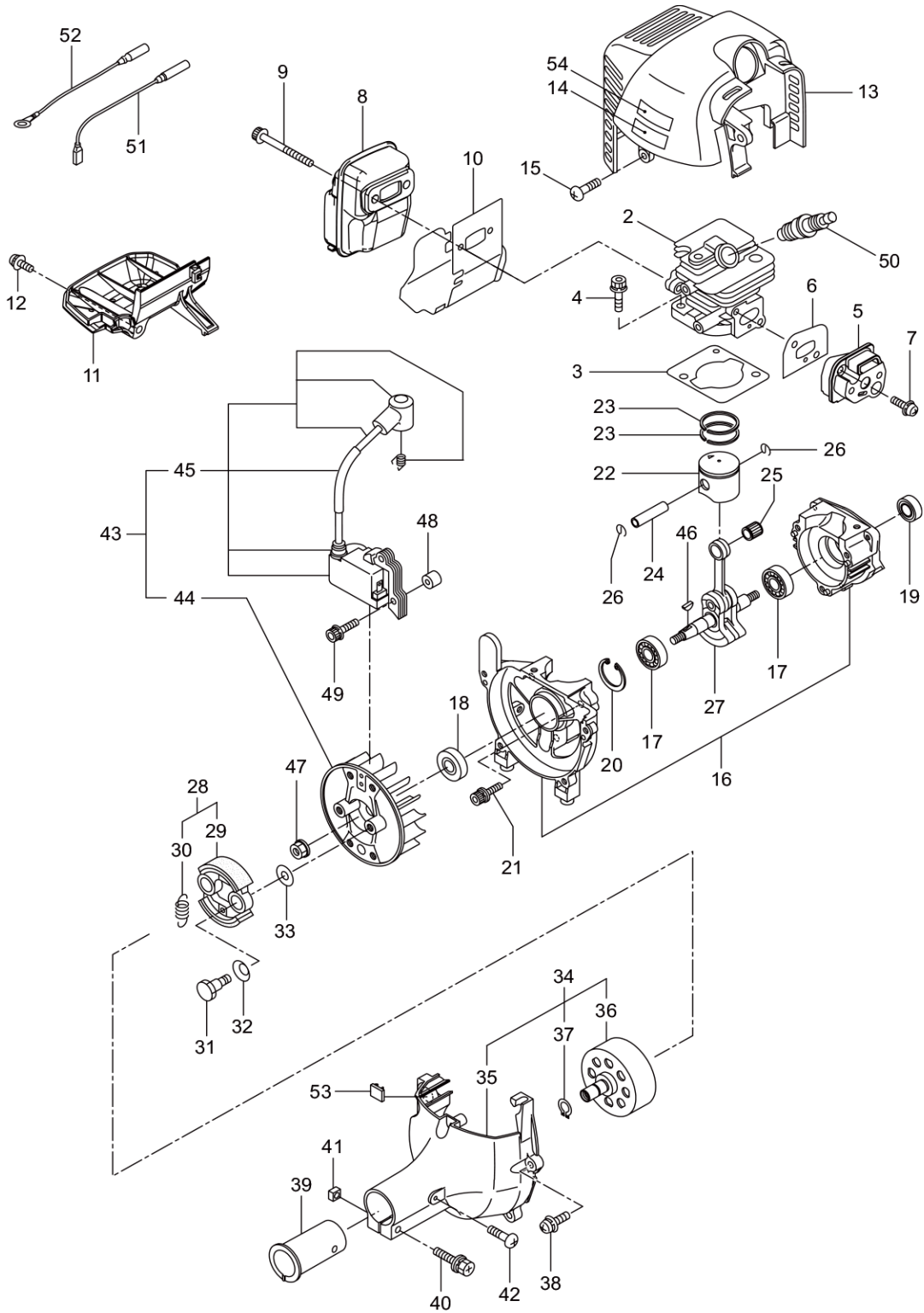
Status	Position	Parts Number	Parts Name	Unit Quantity	Set Unit Quantity	Specification	Remarks	Maker code
	1	366132	MX22EH(TH)	1				
	2	560375	DRIVESHAFT	1		7X1481L SP-18		
	3	560425	OUTER SHAFT	1				
	4	560385	GRIP	1		ㇿ(N1.5)		
	5	215533	HANGING BRACKET ASSY	1		(24)アツキホ゛ルト	Incl.6	
	6	261762	SCREW	1		M5X147	M5x14	
	7	560408	BRACKET ASSY	1		19ハト゛ルヨウ/(24)	Incl.8	
	8	261246	CAP SCREW	6	5	M5X25	M5x25	
	9	560409	BRACKET	1			Incl.10-12	
	10	560410	BRACKET	1				
	11	271437	SCREW	2		M6X20	M6x20	
	12	231704	WASHER	2		6X13XT1.0 ㇿ17ㇿ	6x13xt1.0	
	13	560240	CAUTION MARK	1		CE7-ㇿ/223188 ㇿイ		
	14	560414	LABEL	1			MX22EH	
	15	560246	LABEL	1		112DBA/228043ㇿイ	112dBA	
	16	560397	HANDLE A ASSY	1			Incl.17,18	
	17	560310	HANDLE A	1				
	18	226512	GRIP	1		(19) ㇿ		
	19	560415	HANDLE B ASSY	1			Incl.20,21	
	20	560311	HANDLE B	1				
	21	560428	THROTTLE LEVER ASSY	1				
	22	230747	CORD CUTTER	1		リヨウハ゛ワツト		
	23	232689	SCREW	3		M5X16	M5x16	
	24	560229	SHOULDER STRAP ASSY	1		Y95 1700Lㇿㇿㇿㇿ	Incl.25	
	25	560282	HOOK	1		NO.07017D		
	26	560420	COVER	1				
	27	560648	EXTENSION	1				

MX22EH
3. GEAR CASE



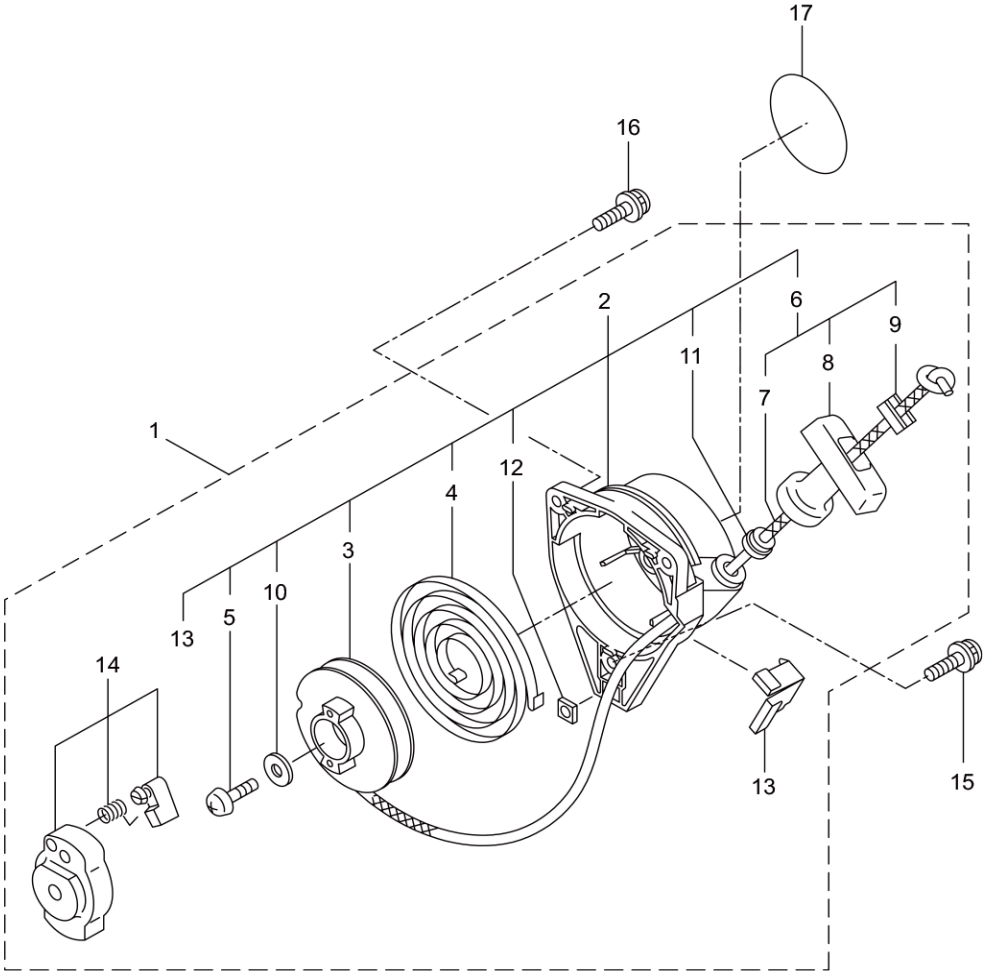
Status	Position	Parts Number	Parts Name	Unit Quantity	Set Unit Quantity	Specification	Remarks	Maker code
	1	241689	GEAR CASE ASSY	1			Incl.2-15	
	2	226284	GEAR HOUSING	1		BC20B		
	3	225897	BOLT	1	5	M6X8 ｱｯ° ㄵㄵ	M6x8	
	4	226285	BEARING #626	1		#626	#626	
	5	227108	GEAR SET	1		60° /7SP. 13:19		
	6	112184	BEARING 6000DDU	1		6000DDU(NSK)	#6000DDU	
	7	054676	RING SNAP	1	5	ｱㄵㄵ26	#26	
	8	225898	WASHER	1		10X16XT2.6	10x16xt2.6	
	9	226286	BEARING	1		#609ZZ(ㄵㄵ° ㄵ)	#609ZZ	
	10	228477	C-SHAPED RING	1		ｼ° ㄵㄵㄵ STW-9	#9	
	11	140270	C-SHAPED SNAP RING	1		ｱㄵㄵ24	#24	
	12	261246	CAP SCREW	1	5	M5X25	M5x25	
	13	225891	BOSS ADAPTER	1				
	14	225892	BOSS B	1				
	15	225893	NUT	1	5	M8 ㄵㄵ° ㄵ	M8	
	16	261233	SCREW	1		M5X12	M5x12	

MX22EH
4. ENGINE



Status	Position	Parts Number	Parts Name	Unit Quantity	Set Unit Quantity	Specification	Remarks	Maker code
	1	875275	EE232TH/01(MX22E)	1			EE232TH/01	
	2	278641	CYLINDER	1				
	3	289643	GASKET	1		T0.5		
	4	267290	CAP SCREW	2	5	M5X20WSW+㊦	M5x20	
	5	272744	INSULATOR	1			New gasket required	
	6	267049	GASKET	1	5			
	7	269826	SCREW	2	5	M5X25WSW+㊦+㊧	M5x25	
	8	246656	MUFFLER ASSY	1		EE ティル		
	9	266402	CAP SCREW	2	5	M5X55ワ㊦㊧	M5x55	
	10	247073	GASKET	1				
	11	563726	UNDER COVER	1				
	12	269827	SCREW	1	5	M5X16WSW+㊦	M5x16	
	13	563753	TOP COVER COMP	1		EE231㊦㊧㊨㊩		
	14	563608	LABEL	1		TOKYO JAPAN	TOKYO JAPAN	
	15	280144	TAPPING SCREW	1	5	ト㊦㊧㊨㊩1M4X16		
	16	563679	CRANKCASE	1		EE231		
	17	280488	BEARING 6001C3	2		6001 C3㊦㊧㊨㊩	PPL 6001	
	18	563633	OIL SEAL	1		ISCD12287㊦㊧㊨㊩		
	19	563632	OIL SEAL	1		ISCD12227㊦㊧㊨㊩		
	20	563635	SNAP RING #28	1	5	㊦㊧㊨㊩28	H28	
	21	261612	CAP SCREW	3		M5X30	M5x30	
	22	272204	PISTON	1				
	23	264891	PISTON RING	2			(2)required	
	24	261036	PISTON PIN	1		5.7X8X23.5L		
	25	288520	NEEDLE BEARING	1		8E-KV8X11X11.8		
	26	261576	CLIP PISTON	2				
	27	274146	CRANK SHAFT	1				
	28	280375	CLUTH ASSY	1		54㊦㊧㊨㊩㊪㊫㊬㊭㊮	Incl.29,30	
×	29	280407		2				
	30	264889	SPRING	1				
	31	264505	BOLT	2				
	32	261777	WAVE WASHER	2	5			
	33	261189	WASHER	2	5	6X16.5XT1.2	6x16.5xt1.2	
	34	563534	FAN COVER ASSY(TH)	1			Incl.35-37	
	35	280506	FAN COVER	1		㊦㊧㊨㊩㊪㊫㊬㊭㊮		
	36	289727	CLUTCH DRUM	1				
	37	563065	SNAP RING	1	5	㊦㊧㊨㊩㊪㊫10	#10	
	38	269831	SCREW	4	5	M5X20WSW+㊦	M5x20	
	39	269991	CUSHION	1				
	40	280477	CAP SCREW	1	5	6㊦㊧ (+)M5X28WSW	M5x28	
	41	269423	NUT	1	5	㊦㊧㊨㊩㊪㊫㊬㊭㊮M5		
	42	282403	SCREW	1	5	ト㊦㊧㊨㊩㊪㊫10M4X14	M4x14	
×	43	563535		1			Incl.44,45	
	44	277797	ROTOR	1		AD89-41-1000		
	45	277798	IGNITION COIL ASSY	1		AD89-41-2000		
	46	261076	WOODRUFF KEY 3X10	1	5	㊦㊧㊨㊩ 3X10	3x10	
	47	261417	NUT ROTOR M8	1	5	M8	M8	
	48	280381	SPACER	2	5			
	49	261256	BOLT	2	5	M4X25	M4x25	
	50	288264	SPARK PLUG	1		NGK BPMR8Y	BPMR8Y	
	51	263804	WIRE COIL	1		155B㊦㊧㊨㊩㊪㊫㊬㊭㊮		
	52	282880	WIRE LEAD	1		95BM5 CBH		
	53	280670	GROMMET	1		㊦㊧(N1.5)		
	54	563192	LABEL	1		CE/PL㊦㊧㊨㊩㊪㊫㊬㊭㊮㊯㊰㊱㊲㊳㊴㊵㊶㊷㊸㊹㊺㊻㊼㊽㊾㊿		

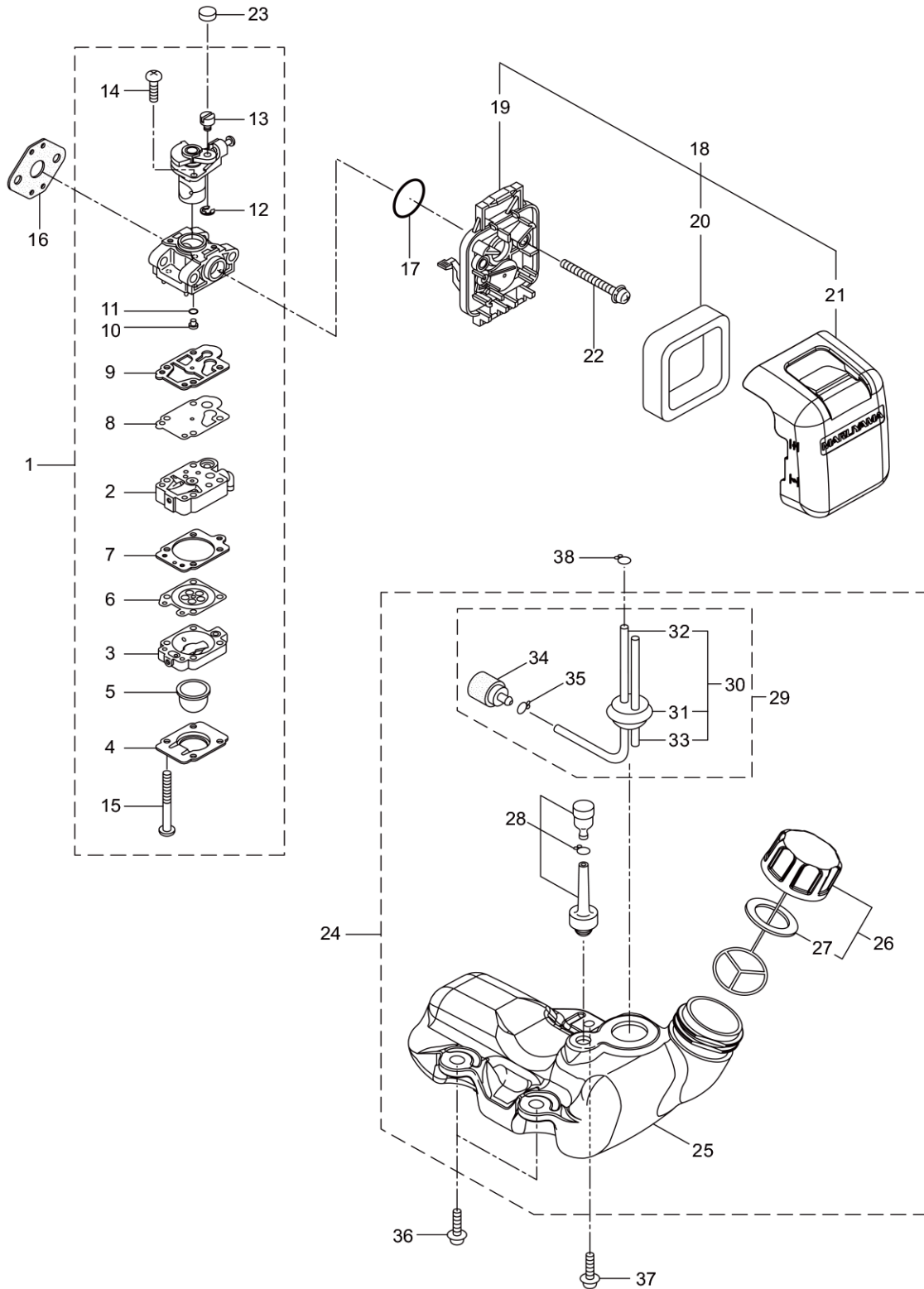
MX22EH
5. RECOIL STARTER



Status	Position	Parts Number	Parts Name	Unit Quantity	Set Unit Quantity	Specification	Remarks	Maker code
	1	563307	RECOIL STARTER ASSY	1		リコイルスター	Incl.2-14	
	2	273093	STARTER ASSY	1			Incl.3-13	
	3	280492	REEL	1				
	4	287421	SPRING	1		T0.4		
	5	280494	SCREW SET	1				
	6	280495	ROPE ASSY	1			Incl.7-9	
	7	283616	STARTER ROPE	1				
	8	280497	STARTER KNOB	1				
	9	280550	STOPPER	1				
	10	280547	WASHER	1	10			
	11	280548	COLLAR	1				
	12	269423	NUT	1	5	シカナットM5		
	13	288500	PLATE	1		269999ヨロ-7° 板I		
	14	287399	STARTER PULLEY ASSY	1		タ`イストイ		
	15	269833	SCREW	1	5	M4X16WSWナ+ミ	M4x16	
	16	280489	SCREW	2	5	M4X20WSWナ	M4x20	
	17	563532	RECOIL LABEL	1			EE232	

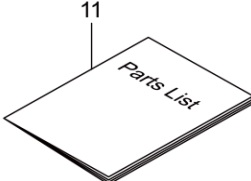
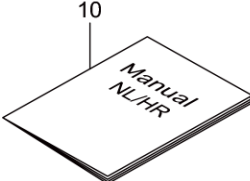
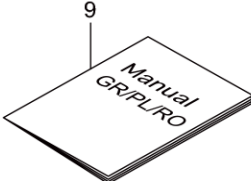
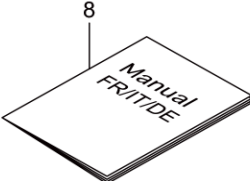
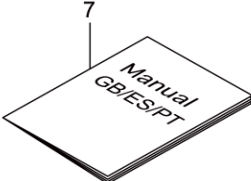
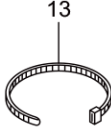
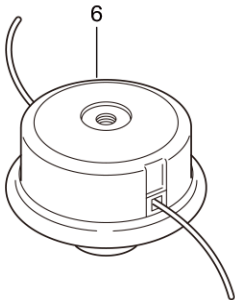
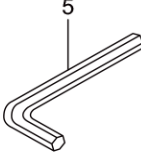
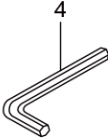
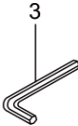
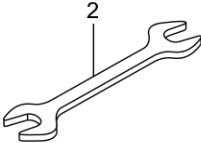
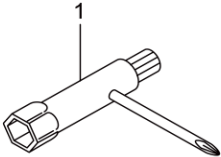
MX22EH

6. CARBURETOR, FUEL TANK



Status	Position	Parts Number	Parts Name	Unit Quantity	Set Unit Quantity	Specification	Remarks	Maker code
	1	276663	CARBURETOR ASSY	1			Incl.2-15 New gasket required	
	2	274472	CARBURETOR BODY	1		WB5-8879		
	3	262991	PURGE BODY	1		WB5-2557		
	4	262992	COVER	1		WB21-3147		
	5	261874	PRIMER	1		WB188-12		
	6	283905	DIAPHRAGM METERRING	1		WB95-614		
	7	262993	GASKET	1		WB92-359		
	8	262994	DIAPHRAGM	1		WB95-99		
	9	282576	GASKET	1		WB92-415		
	10	289396	JET	1		WB112-3070-330		
	11	261871	O-RING	1		WB16-104		
	12	261876	RING	1		WB16-71		
	13	261658	SWIVEL	1		WB52-34		
	14	264682	SCREW	2		WB96-364		
	15	262996	SCREW	4	5	WB96-425		
	16	261864	GASKET	1	5			
	17	264691	O-RING	1	5			
	18	563411	CLEANER ASSY	1		278091	Incl.19-21	
	19	266433	HOUSING ASSY	1				
	20	264695	FILTER	1		WB125-62		
	21	277553	CLEANER COVER	1		MARUYAMA		
	22	269834	SCREW	2	5	M5X60WSW†		
	23	280020	CAP	1	5	ハヅツウビシ		
	24	563261	TANK ASSY	1		A50B52C160D85	Incl.25-35	
	25	563466	FUEL TANK CAP ASSY	1		0.5L		
	26	275306	FUEL TANK CAP ASSY	1			Incl.27	
	27	274875	PACKING	1		KRYNAC4975F		
	28	563262	BREATHER ASSY	1				
×	29	563232	FUEL PIPE ASSY	1			Incl.30-35	
	30	563233	FUEL PIPE ASSY	1			Incl.31-33	
	31	288192	GROMMET	1				
	32	261690	FUEL PIPE	1		3X5X160L(㊦)	160L	
	33	288194	RETURN PIPE	1		3X6X85(㊦)	3x6x85	
	34	277887	FILTER ASSY	1		125-935		
	35	563014	CLIP	1				
	36	269828	SCREW	2	5	M5X16W†-11.6	M5x16	
	37	281208	SCREW	1	5	M5X16W†+ミ	M5x16	
	38	563014	CLIP	1				

MX22EH
7. ACCESSORIES



Status	Position	Parts Number	Parts Name	Unit Quantity	Set Unit Quantity	Specification	Remarks	Maker code
	1	210418	BOX SPANNER	1		13X19X(+) ^ト ライル [〃]	13x19x(+)	
	2	022865	DOUBLE-ENDED SPANNER	1		8X10	8x10	
	3	219431	SPANNER	1		ニメノル [〃] 3	3mm	
	4	219432	WRENCH	1		ニメノル [〃] 4	4mm	
	5	219433	WRENCH	1		ニメノル [〃] 5 1ニカ	5mm	
	6	232226	SEMI-AUTO HEAD 4	1		タ [〃] イアツツ [〃] M8オネシ [〃]		
	7	561021	Instruction Manual	1		3カコク [〃] GB/ES/PT	GB/ES/PT	
	8	561022	Instruction Manual	1		3カコク [〃] FR/IT/DE	FR/IT/DE	
	9	561023	Instruction Manual	1		3カコク [〃] GR/PL/RO	GR/PL/RO	
	10	561024	Instruction Manual	1		2カコク [〃] NL/HR	NL/HR	
	11	524719		1			MX22EH	
	12	560251	TUBE	1		ヱ [〃] 15 60L スリツ	60L	
	13	685048	BAND	1		CV-150B(カ)	CV-150B	