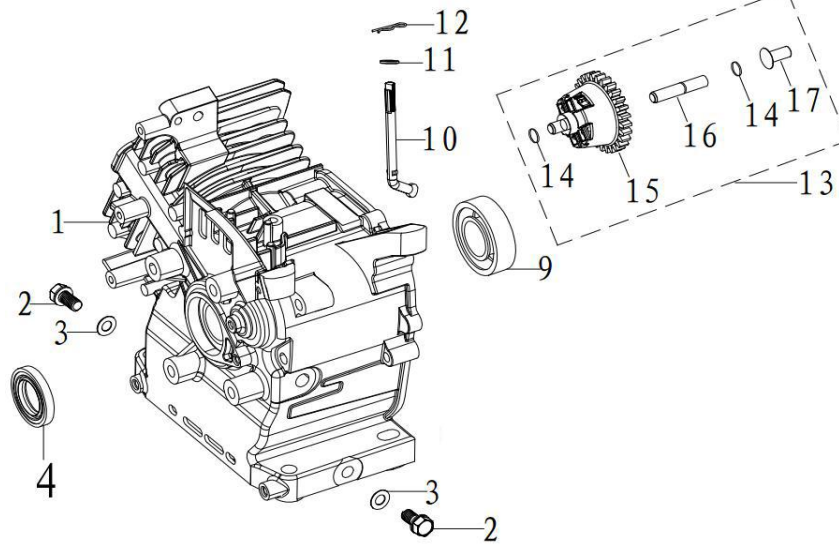


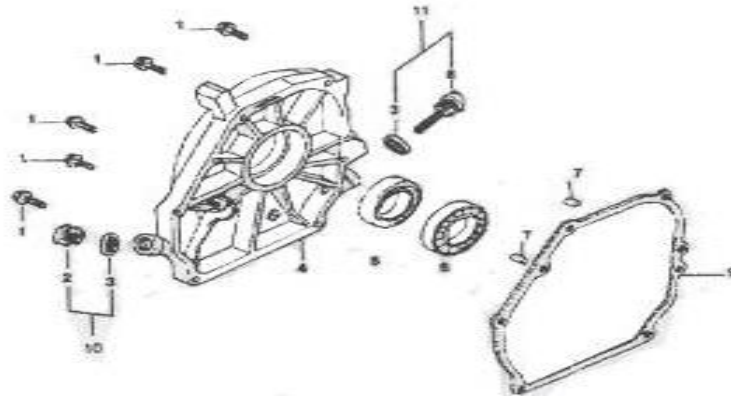
CHIULASA

No.	COD	cod vechi	cod nou	nume	DENUMIRE	buc.	com.
		old code	new code				
1	WH1F0000000	11140-E02001-00B	11140-E020030-00000	气缸头组合	Head subassembly,cylinder	/	
4	WHB00000000	11131-E03001-000	11131-E030020-00000	气缸垫	Gasket cylinder	/	
5	WH1G0000000	11410-E01003-001	11410-E010030-00000	缸头盖	Cover,comp, head	1	
6	WHC00000000	11004-E01002-000	11401-E010010-00000	缸头盖密封垫	Packing, Head cover	1	
7	WHX00000000	17004-E01002-000	22004-E010020-00000	废气管	Tube breather	1	
8	WH2U0000000	90103-0614-09	91101-0614-00100	螺栓M6X14	Bolt Flange M6X14	4	
9	WH1L0000000	90204-E01001-009	91707-E010040-00000	进气双头螺栓M6*113	BOLT STUD IN M6*113	2	
10	WH1M0000000	90203-E01001-009	91708-E010010-00000	排气双头螺栓M8*34	BOLT STUD EX M8*34	2	
11	WH1N0000000	91104-0007	93302-1016-00000	定位销φ10X16	Pin Dower	2	
12	WH2V0000000	11003-E01001-001	91718-E010010-00000	缸头螺栓M8*55	Bolt Flange 8X55	4	
13	WH100000000	30010-E01003-000	31110-E010030-00010	火花塞	Plug spark	1	



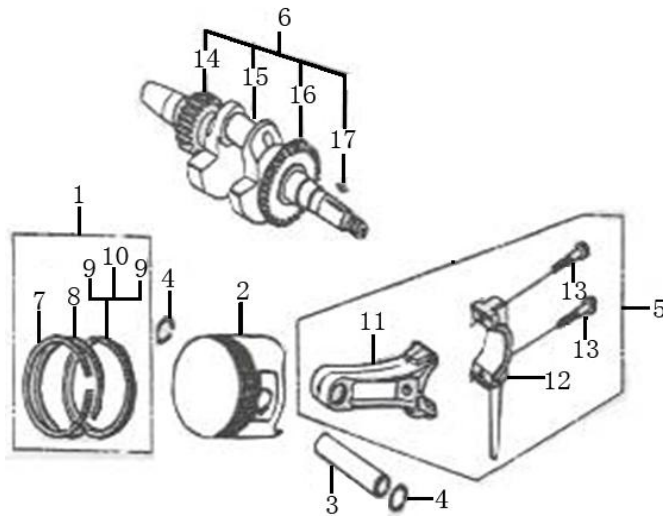
BLOC MOTOR

No.	COD	cod vechi	cod nou	nume	DENUMIRE	buc.	com.
		old code	new code				
1	WH2W0000000	12310-E03001-00B	13310-E030020-P0100	曲轴箱体	CRANK CASE	1	
2	WHV000000000	12012-E01001-001	91709-E010010-00000	放油螺栓	BOLT DRAIN PLUG	2	
3	WHW000000000	12013-E01001-000	93116-E01P010-00000	放油螺栓红垫片	WASHER DRAIN PLUG	2	
4	WH1P000000000	90682-E01001-000	90001-E010010-00000	油封φ25Xφ41.25X6	OIL SEAL φ25Xφ41.25X6	1	
9	B0008W00000	91601-6205-P63	94100-6205-P6300	轴承6205	BEARING , RADIALBALL	1	
10	WH2LBG000000	16061-E01001-000	18011-E010010-00000	调速摆杆	SHAFT GOVERNOR ARM	1	
11	B5027B00000	90412-E01001-000	93117-E010010-00000	平垫圈φ6*φ15*0.5	WASHER PAIN φ6*φ15*0.5	1	
12	WH2LBGX00000	91401-0005-Z9	93311-E010010-00000	R销	PIN LOCK	1	
13	WH1Q00000000	16400-E01001-000	18200-E010010-00000	调速齿轮部件	GOVERNOR ASSY	2	
14	B5027B00000	/	90412-G52001-009	平垫圈 φ6*φ15*0.5	WASHER φ6*φ15*0.5	1	
15	WH1Q1000000	/	18220-E010501-00000	调速齿轮组合	GOVERNOR GEAR	1	
16	WH1Q2000000	/	18211-E010010-00000	调速芯轴	SHAFT GOVERNOR	1	
17	WH1Q3000000	/	18201-E010010-00000	调速帽	SLIDER GOVERNOR	1	



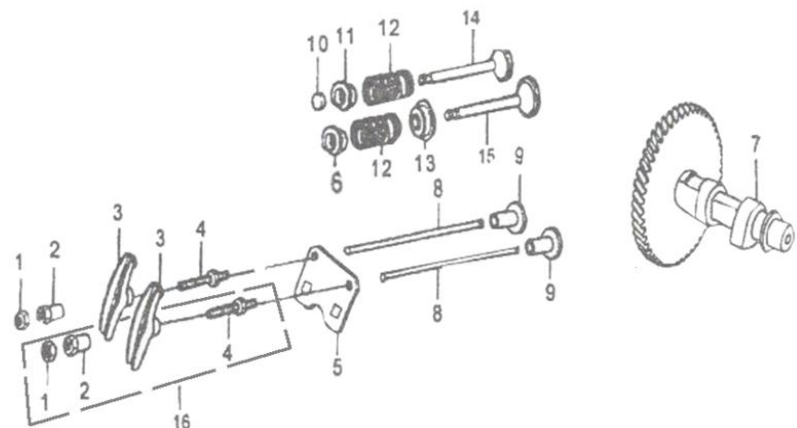
CAPAC CARTER

No.	COD	cod vechi	cod nou	Chinese Name	English DENUMIRE	buc.	com.
		old code	new code				
1	WH2X0000000	90103-0832-09	91101-0832-00100	螺栓M8X32	BOLT FLANGE M8X32	6	
10	WHE00000000	15030-E01001-R00	19030-E010020-R0400	机油标尺部件	OIL PLUG ASSY	1	
2	WHE10000000		19010-E010020-H0200	机油尺组合	OIL PLUG	1	
3	WHE20000000		19012-E010010-H0400	机油尺密封垫	SEALING GASKET for OIL PLUG	2	
11	WHE00000000	15030-E01001-R00	19030-E010020-R0400	机油标尺部件	OIL PLUG ASSY	1	
8	WHE10000000		19010-E010020-H0200	机油尺组合	OIL PLUG	1	
3	WHE20000000		19012-E010010-H0400	机油尺密封垫	SEALING GASKET for OIL PLUG	2	
4	WH1R0000000	12411-E01001-00B	13410-E010020-P0100	曲轴箱盖	COVER	1	
5	WH1P0000000	90682-E01001-000	90001-E010010-00000	油封25X41.25X6	OIL SEAL	1	
6	B0008W00000	91601-6205-P63	94100-6205-P6300	轴承6205	BEARING	1	
7	WH2Y0000000	91104-0002	93302-0814-00000	定位销φ8X14	PIN , DOWEL	2	
9	WHF00000000	12001-E01001-000	13001-E010020-00000	曲轴箱密封垫	PACKING CASE COVER	1	



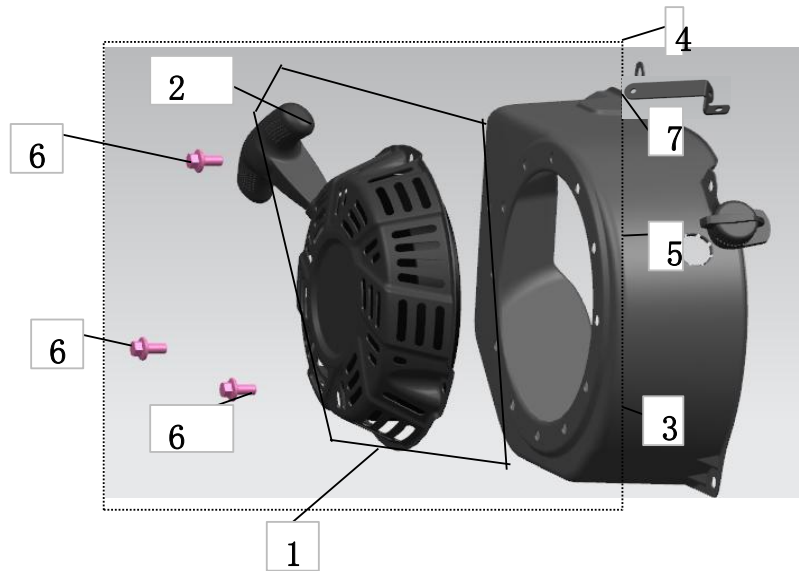
AMBIELAJ

No.	COD	cod vechi	cod nou	Chinese Name	English DENUMIRE	buc.	com.
		old code	new code				
2	WH1S000000	13111-E03091-000	15100-E030020-000I0	活塞	PISTON	1	
3	WH1T000000	13121-E01001-000	15121-E010010-00000	活塞销	PIN PISTON	1	
4	WH1U000000	13122-E01001-000	15122-E010010-00000	活塞销挡圈	CLIP PISTON PIN	2	
5	WH1W000000	13010-E01001-000	15010-E010010-00001	连杆部件	ROD ASSY CONNECTING	1	
6	WH1V000000	13300-E03001-CR0	15310-E030050-00000	Q轴/40Cr	CRANKSHAFT COMP	1	
1	WHG00000000	13200-E03091-000	15200-E030030-000I0	活塞环部件	RING SET	1	
7	WHG10000000		15201-E030020	第一道环	RING , FIRST	1	
8	WHG20000000		15202-E030020	第二道环	RING , SECOND	1	
9	WHG30000000		15212-E030020	油环片环	OIL RING	2	
10	WHG40000000		15211-E030020	油环衬环	BUSHING RING	1	
11	WH1W1000000		15011-E010010	连杆体	CONNECTING ROD	1	
12	WH1W2000000		15012-E010010	连杆盖	CONNECTING ROD COVER	1	
13	WH1W3000000		91710-E010010	连杆螺栓	BOLT CONNECTING ROD	2	



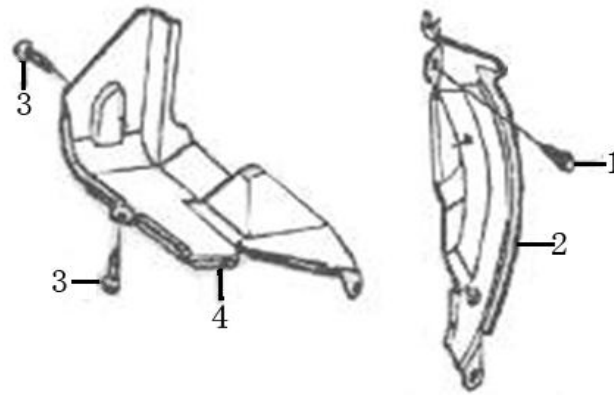
DISTRIBUTIA

No.	COD	cod vechi	cod nou	Chinese Name	English DENUMIRE	buc.	com.
		old code	new code				
16	WHH00000000	14300-E01001-000	17310-E010010-00000	摇臂部件	ARM ROCKER ASSY	2	
1	WHH10000000	/	17312-E010010	气门锁紧螺母	NUT PIVOT ADJUSTING	2	
2	WHH20000000	/	17314-E010010	气门调节螺母	PIVOT ROCKER ARM	2	
3	WHH30000000	/	17311-E010010-00000	摇臂	ARM VALVE ROCKER	2	
4	WHH40000000	/	17315-E040010-00000	气门调节螺栓	BOLT PIVOT ARM	2	
5	WH1X0000000	14090-E01001-000	17030-E010010-00000	限位板	PLATE ASSY	1	
6	WH1Y0000000	11112-E01001-000	11105-E010010-00000	进气门弹簧座	RETAINER, IN.VALVE SPRING	1	
7	WH1Z0000000	14200-E02002-000	17210-E020010-00000	凸轮轴	CAMSHAFT ASSY	1	
8	WH1C0000000	14070-E01001-000	17010-E010010-00000	推杆	ROD PUSH	2	
9	WH1D0000000	14081-E02001-000	17021-E020010-00000	挺柱	LIFTER VALVE	2	
10	WH1B0000000	11104-E01001-000	11103-E010010-00000	气门顶帽	RATATOR VALVE	1	
11	WH2C0000000	11107-E01001-000	11106-E010010-00000	排气门弹簧座	RETAINER, EX.VALVE SPRING	1	
12	WH2D0000000	11103-E01001-000	11102-E010010-00000	气门弹簧	SPRING VALVE	2	
13	WHS00000000	11101-E01001-000	11101-E010010-00000	挡油罩	SEAL GUIDE	1	
14	WHQ00000000	11121-E01001-000	11122-E010010-00000	排气门	VALVE EX	1	
15	WHJ00000000	11111-E01001-000	11121-E010010-00000	进气门	VALVE IN	1	



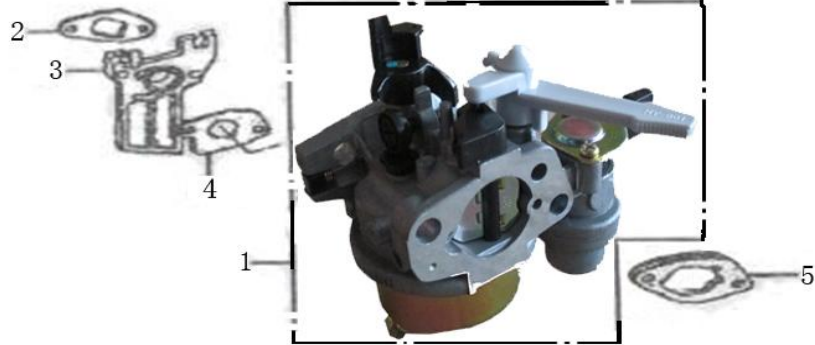
DEMAROR

No.	COD	cod vechi old code	cod nou new code	nume	DENUMIRE	buc.	com.
4	WH2B0000000	19400-E01C01-R01	28100-E01C020-D4700	启动器部件	STARTER ASSY	1	
2	WH2A0000000	28210-E01004-000	28123-E010010-H0200	启动手柄	KNOB RECOIL STARTER	1	
3	WHY00000000	/	28140-E010020-H0100	风扇罩	COVER COMP FAN	1	
1	WH200000000	28200-E01C04-B01	28110-E01C020-H0100	启动拉盘部件	RECOIL STARTER COMP	1	
5	WHY10000000	35540-E01007-000	31060-E010030-00000	熄火开关	STOP SWITCH	1	
6	WHY20000000	/	91101-0608-00100	螺栓M6X8	BOLT FLANGE 6X8	3	
7	WH2LZJ00000	16522-E01001-001	33132-E010010-00000	支耳 (调速状态用)	support lug	1	



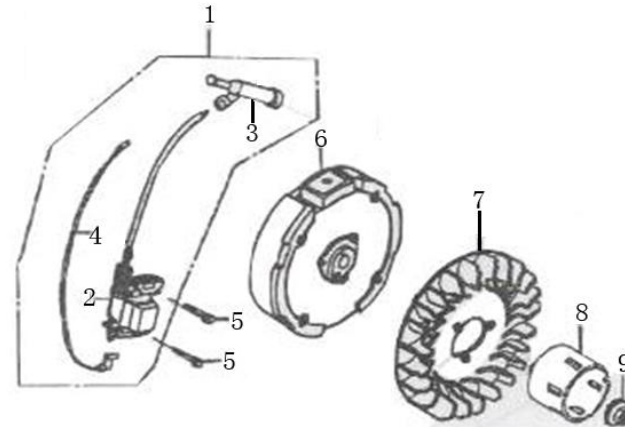
导风部件(DIVERSION ASSY)

No.	COD	cod vechi	cod nou	nume	DENUMIRE	buc.	com.
		old code	new code				
1	WHY30000000	90103-0620-09	91101-0620-00100	螺栓M6X20	BOLT FLANGE 6X20	1	
2	WHY40000000	19340-E01001-001	26220-E010030-00000	下护罩	PLATE SIDE	1	
3	WHY50000000	90103-0612-09	91101-0612-00100	螺栓M6X12	BOLT FLANGE 6X12	2	
4	WHY60000000	19304-E01001-001	26202-E010010-00000	导流罩	SHROUD COMP	1	



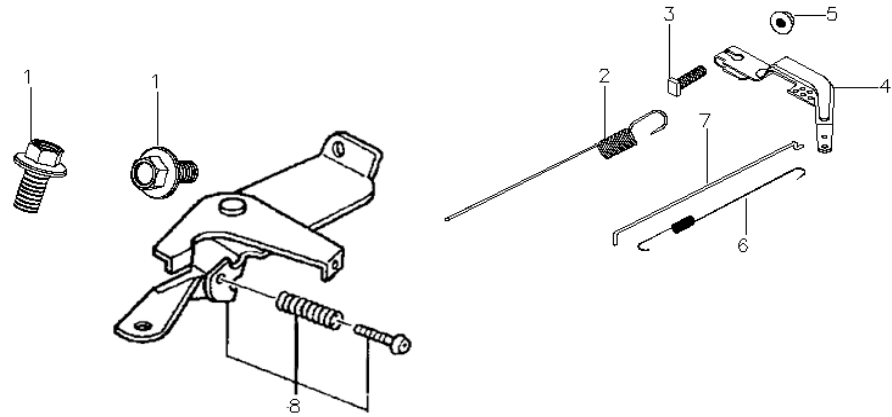
CARBURATOR

No.	COD	cod vechi	cod nou	nume	DENUMIRE	buc.	com.
		old code	new code				
1	WH300000000	16100-E02001-R00	25300-E020030-SR100	化油器部件	CARBURETOR	1	
2	WH400000000	17002-E01001-000	22002-E010020-00000	进气口纸垫	PACKING INSULATOR	1	
3	WH500000000	16003-E01001-000	22006-E010010-00000	隔热板	INSULATOR CARBURETOR	1	
4	WH600000000	16001-E01001-000	22007-E010010-00000	化油器纸垫	PACKING CARURETOR	1	
5	WH700000000	17001-E01001-000	22001-E010030-00000	空滤器垫	SPACER COMP AIR CLEANER	1	



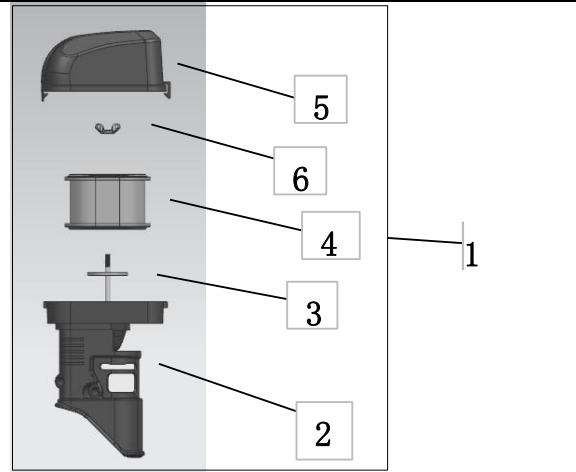
APRINDERE

No.	COD	cod vechi	cod nou	nume	DENUMIRE	buc.	com.
		old code	new code				
1	WHLB0000000	30400-E01001-000	31300-E010070-00000	点火器部件	COIL ASSY IGNITION	1	
2	WHL00000000		31301-E010030-00000	点火线圈本体	COIL IGNITION	2	
3	WHL10000000		31321-E010010-00000	火花塞帽	CAP ASSY NOISE SUPPRESS	1	
4	WHL20000000		31304-E010010-00000	熄火线/(接头与专用熄火开关匹配)	CORD STOP SWITCH	1	
5	B1064W06025		90103-0625-09	91101-0625-00100	螺栓M6X25	BOLT FLANGE 6X30	2
6	WH2E0000000	13510-E01001-000	15510-E010030-00000	飞轮	FLYWHEEL COMP	1	
7	WH2F0000000	19352-E01003-000	26201-E010020-00000	叶轮	FAN COOLING	1	
8	WH2G0000000	28002-E01001-001	28001-E010030-00000	启动杯	FULLEY STARTER	1	
9	WH2H0000000	13501-E01001-001	92403-E010010-00000	飞轮螺母	NUT SPECIAL	1	



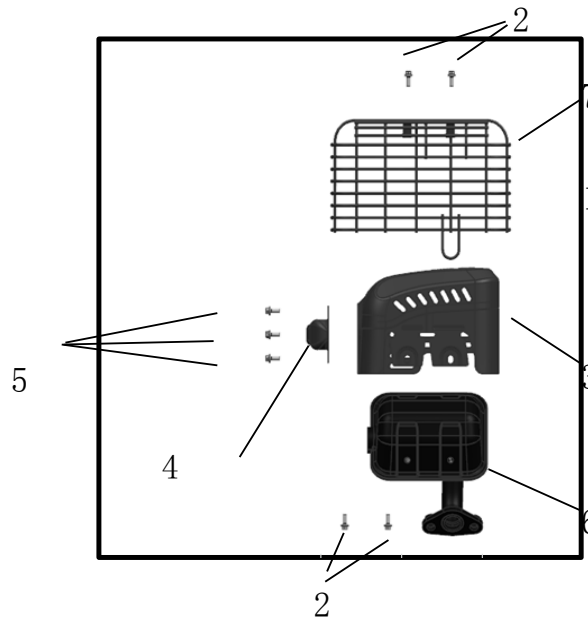
REGULATOR TURATIE

No.	COD	cod vechi	cod nou	nume	DENUMIRE	buc.	com.
		old code	new code				
1	WHY50000000		91101-0612-00100	六角法兰面螺栓-小系列	BOLT FLANGE	2	
2	WHM00000000		18013-E010030-00000	调速弹簧	SPRING GOVERNOR	1	
3	WHU00000000		91717-E010010-00000	调速支架固定螺栓	BOLT QUADRATE HEAD	1	
4	WH2J00000000		18031-E010010-00000	调速支架	ARM GOVERNOR	1	
5	WH2K00000000		92201-0600-00100	六角法兰面螺母	NUT FLANGE	1	
6	WHN00000000		18014-E010020-00000	节气门复位簧	SPRING THROTTLE RETURN	1	
7	WHNG00000000		18012-E010010-00000	调速拉杆	ROD GOVERNOR	1	
8	WH2L00000000 WH2L T0000000		18110-E010150-00000	油门操纵组合	CONTROL ASSY	1	



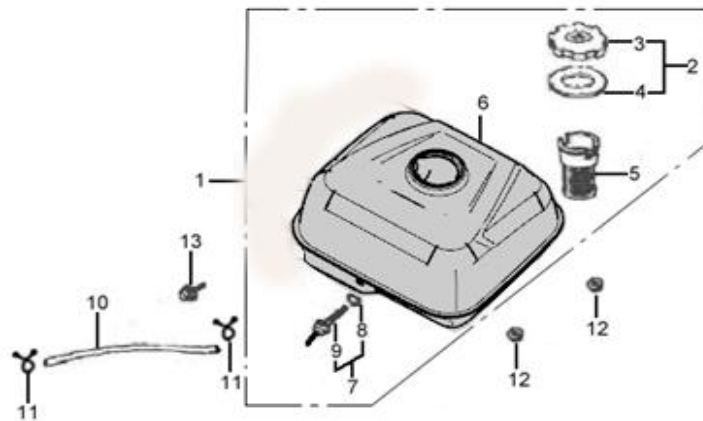
FILTRU AER

No.	COD	cod vechi old code	cod nou new code	nume	DENUMIRE	buc.	com.
1	WH900000000	17100-E01C01-000	22100-E01C010-00000	空气滤清器部件/C款	AIR FILTER COM. / C type	1	
2	WH910000000	17150-E01C01-000	22141-E01C020-H0200	空滤器座/C款	STEADIER/ C type	1	
3	WH920000000		17132-E01A01-000	密封胶圈/C款	SEALING GASKET STEADIER/ C type	1	
4	WHP000000000		22130-E01C010-00000	空滤芯/C款	AIR FILTER ELEMENT/C type	1	
5	WH930000000		22103-E01C010-H0200	空滤器盖/C款	AIR FILTER COVER/C type	1	
6	WH940000000		90312-E01001-3E	蝶形螺母M6/C款	M6 BUTTERFLY NUT/C type	1	



TOBA ESAPAMENT

No.	COD	cod vechi old code	cod nou new code	nume	DENUMIRE	buc.	com.
1	WHR00000000	18100-E01C04-000	23100-E01C020-H0200	消声器部件	MUFFLER COM.	1	
2	WHR20000000		91101-0610-00100	螺栓M6X10	Bolt M6X10	4	
3	WH1H0000000	18104-E01C01-000	23015-E01C010-H0200	消声器外罩	MUFFLER COVER	1	
4	WH1J0000000	18139-E01C01-000	23131-E01C010-H0200	转向口/C款	DIRECTION TURNING PIPE	1	
5	WHR30000000		91206-3513-00100	自攻螺钉	self-drilling screws	3	
6	WHR10000000	18160-E01C01-000	23140-E01C010-H0200	消声器本体/C款	MUFFLER BODY/ C type	1	
7	WHR40000000		23017-E01C020-H0200	防烫网/C款	ANTI-HOT COVER/ C type	1	



REZERVOR

No.	COD	cod vechi	cod nou	nume	DENUMIRE	buc.	com.
		old code	new code				
1	WHA0000000	16600-E01C01-R01	25100-E01C010-R0400	油箱部件/公司C款	FUEL TANK COMP/ C type	1	
2	WH2P0000000		25110-E010040-00000	油箱盖	TANK CAP COM.	1	
3	WH2P1000000		25111-E010501-00000	油箱盖主体	TANK CAP	1	
4	WH2P2000000		25117-E010010-00000	油箱盖密封垫	SEALING GASKET TANK CAP	1	
5	WHT00000000	16666-E01C01-000	25190-E01C010-00000	注油口滤网	FUEL FILTER	1	
6	WH2Q0000000		25140-E01C070-H0100	油箱组合C款	TANK NOUMENON	1	
7	WH2R0000000		25180-E010010-00000	出油嘴	JOINT FUEL TANK COM	1	
8	WH2R2000000		25182-E010010-00000	出油嘴密封圈	PACKING JOINT	1	
9	WH2R1000000		25181-E010010-00000	出油嘴本体	JOINT FUEL TANK	1	
10	WH2S0000000	90686-E01001-000	25130-E010010-00000	油管	TUBE FUEL	1	
11	WH2SK000000	90740-E01001-001	25132-E010010-00000	油管卡箍	CLIP TUBE	2	
12	B2012W00000	90103-0628-09	91101-0628-00100	六角法兰面螺母M6	FLANGE SCREW M6	2	
13	B1066W06032	90602-0600-39	92201-0600-00100	六角头法兰面螺栓M6*32	FLANGE BOLT M6*32	1	