

# PARTS LIST

MCV3101S(14)-01

## CONTENTS

1. ENGINE .....	1 ~ 2
2. OIL PUMP .....	3 ~ 4
3. CARBURETOR .....	5 ~ 8
4. ENGINE CASE .....	9 ~ 10
5. RECOIL STARTER .....	11 ~ 12
6. HANDLE .....	13 ~ 14
7. CHAIN CASE .....	15 ~ 16
8. LABEL, ACCESSORIES .....	17 ~ 18

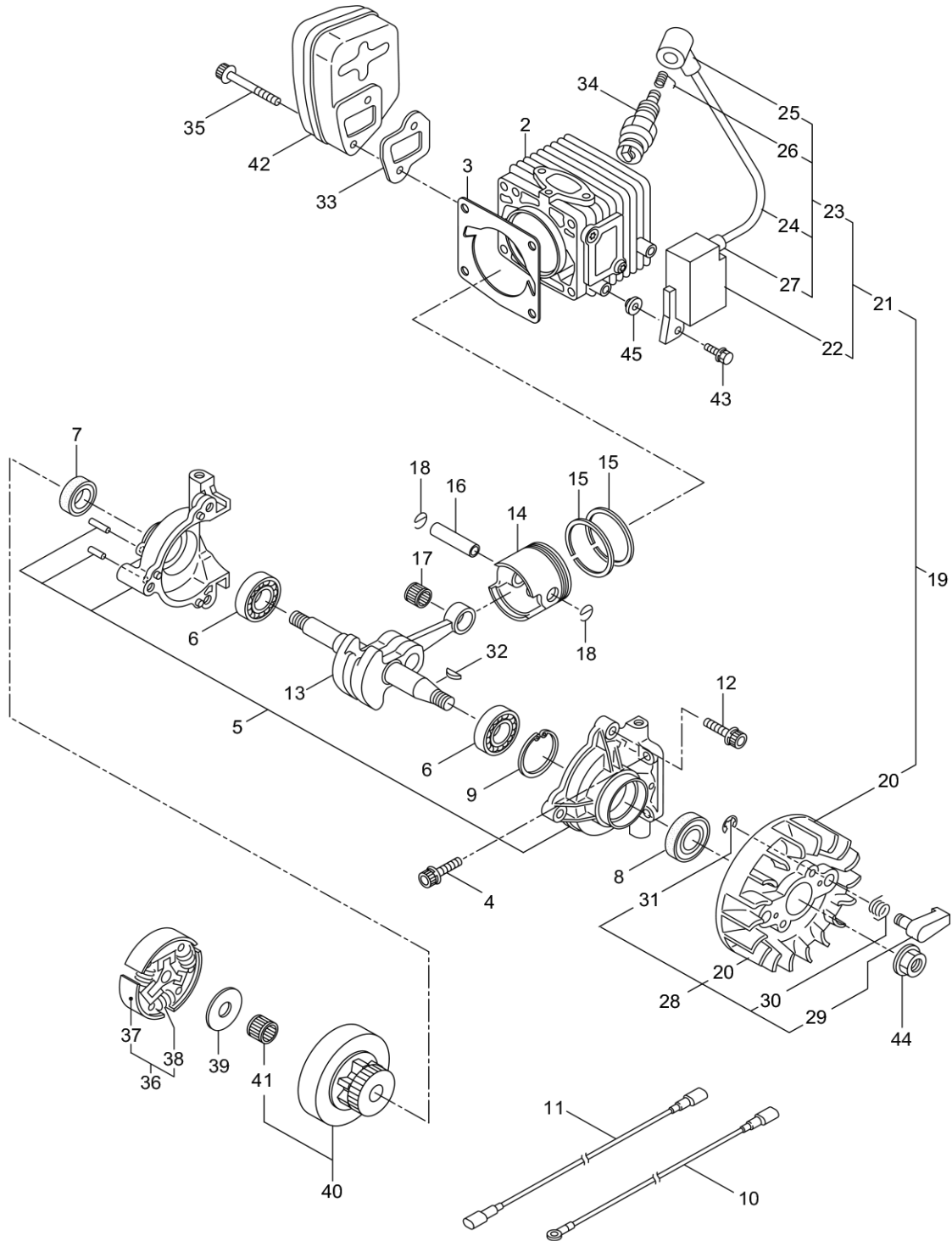
2018. 12.



P/N 523849-5

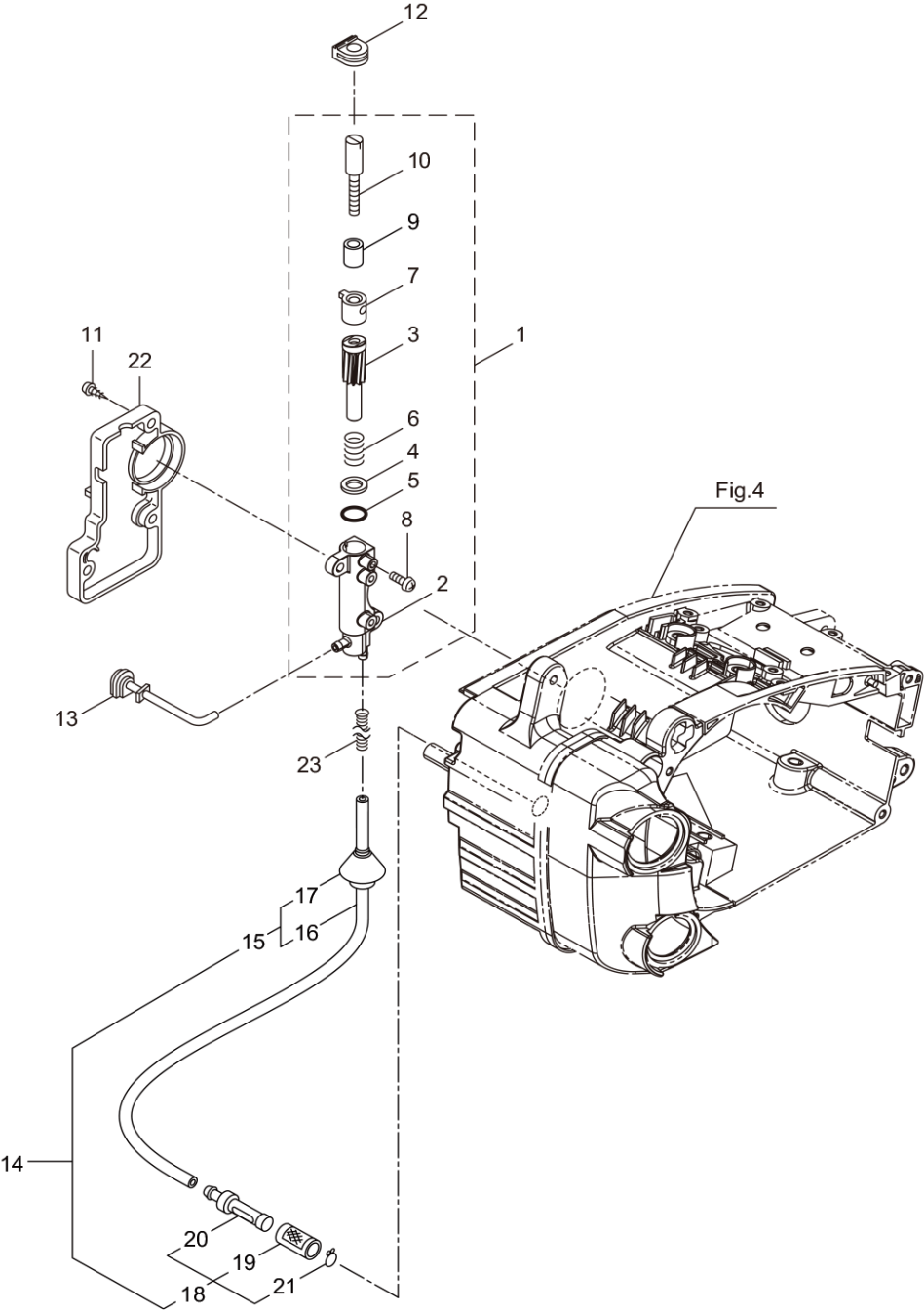


1. MCV3101S(14)-01  
ENGINE



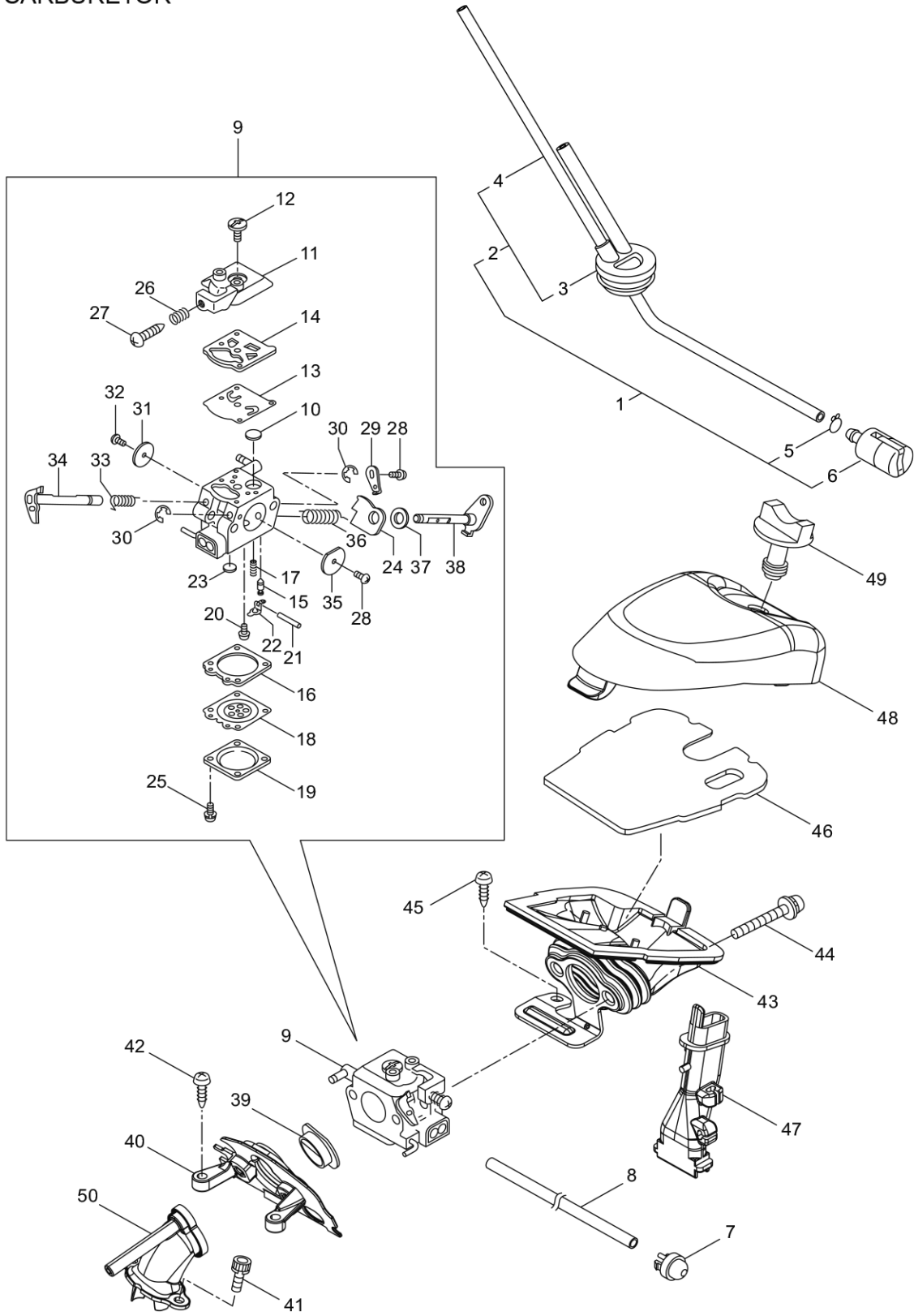
Status	Position	Parts Number	Parts Name	Unit Quantity	Set Unit Quantity	Specification	Remarks	Maker code
	1	362844	MCV3101S(14)-01	1				
	2	279300	CYLINDER COMPLETE	1		コツ°ルツキ		
	3	278403	GASKET	1		30CC CH/T1.2		
	4	261250	CAP SCREW	4	5	M5X20	M5x20	
	5	278868	CRANKCASE	1				
	6	285521	BEARING	2		6001X3JRXC3		
	7	285626	OIL SEAL	1		キノヅカ°イカ P		
	8	261492	OIL SEAL	1		ISCD12287カ°リスナシ	ISCD12287	
	9	055185	SNAP RING #28	1	5	アヲヨウ28	H28	
	10	285648	LEAD	1				
	11	285649	LEAD	1				
	12	261232	CAP SCREW M5X20	3		M5X20L	M5x20	
	13	285599	CRANKSHAFT COMP.	1				
	14	273265	PISTON	1		MCV31		
	15	285590	PISTON RING	2		P111バ°-カライシツンカ°	P111	
	16	285591	PISTON PIN	1		5.7X8X30.5L		
	17	261037	BEARING NEEDLE KBK8X11X11.8X1	1		KBK8X11X11.8X1	KBK8x11x11.8x1	
	18	261576	CLIP PISTON	2				
	19	289489	MAGNETO ASSY	1			Incl.20-27	
	20	285555	MAGNETO ROTOR	1				
	21	289548	IGNITION COIL ASSY	1		テ°シ°タ	Incl.22-27	
	22	289650	COIL	1		10735-31553		
	23	286096	CORD ASSY	1			Incl.24-27	
	24	286097	CORD	1				
	25	261074	PLUG BOOT	1		10855-40131		
	26	261075	CONNECTOR	1		10805-40061		
	27	261072	CAP	1		イカ° 10855-40101		
	28	288365	ROTOR ASSY	1		MCT/MCR31	Incl.20,29-31	
	29	285553	STARTER PAWL	2				
	30	285552	SPRING	2				
	31	020299	E-RING #4	2	10	エ°4	#4	
	32	261076	WOODRUFF KEY 3X10	1	5	ア°1 3X10	3x10	
	33	285472	GASKET	1				
	34	288264	SPARK PLUG	1		NGK BPMR8Y	BPMR8Y	
	35	264223	CAP SCREW M5X40	2	5	M5X407	M5x40	
	36	285535	CLUTCH ASSY	1		ヒタ°リネシ° M8XP=1.0	Incl.37,38	
	37	285655	CLUTCH SHOE	3				
	38	285656	SPRING	3				
	39	285537	WASHER 8X26XT2	1	5	8X26XT2	8x26xt2	
	40	279858	CLUTCH DRUM SET(3/8)	1			Incl.41	
	41	278744	NEEDLE BEARING	1		KT101316E01C3	KT101316E01C3	
	42	276332	MUFFLER ASSY	1		ハイタ°4°ン°ウ°セツ		
	43	281211	CAP SCREW M4X20	2	5	M4X20WSW	M4x20	
	44	261417	NUT ROTOR M8	1	5	M8	M8	
	45	289481	SPACER	2	5	10X4.3T2.0		

MCV3101S(14)-01  
2. OIL PUMP



Status	Position	Parts Number	Parts Name	Unit Quantity	Set Unit Quantity	Specification	Remarks	Maker code
	1	278748	OIL PUMP ASSY	1		リヤツ-	Incl.2-10	
	2	285527	PUMP BODY	1				
	3	285909	WHEEL GEAR	1				
	4	286801	WASHER 6.5X9.8XT0.5	1		T0.5 6.5X9.8	t0.5 6.5x9.8	
	5	014759	O-RING P6	1	5	P6	P6	
	6	285551	SPRING	1	5			
	7	285534	PUMP CAP	1	5			
	8	285630	SCREW M3X8	1		M3X8	M3x8	
	9	288185	SLEEVE	1		6.6X4.2X6.1	6.6x4.2x6.1	
	10	286664	SCREW	1		M4X23 トクシ	M4x23	
	11	285631	SCREW M4X16	5	5	M4X16 ハ イ ト	M4x16	
	12	285528	GROMMET	1				
	13	285522	OIL PIPE A	1				
	14	286802	OIL PIPE B ASSY	1			Incl.19-25	
	15	285523	OIL PIPE B ASSY	1			Incl.20,21	
	16	265725	PIPE L=220	1		220L	220L	
	17	261339	GROMMET	1				
	18	286818	OIL FILTTER ASSY	1			Incl.23-25	
	19	285524	OIL FILTTER	1				
	20	285525	OIL FILTTER BODY	1				
	21	261117	CLIP	1				
	22	278743	PUMP COVER	1		ア+28		
	23	248399		1		L33X2.8(3.3)		

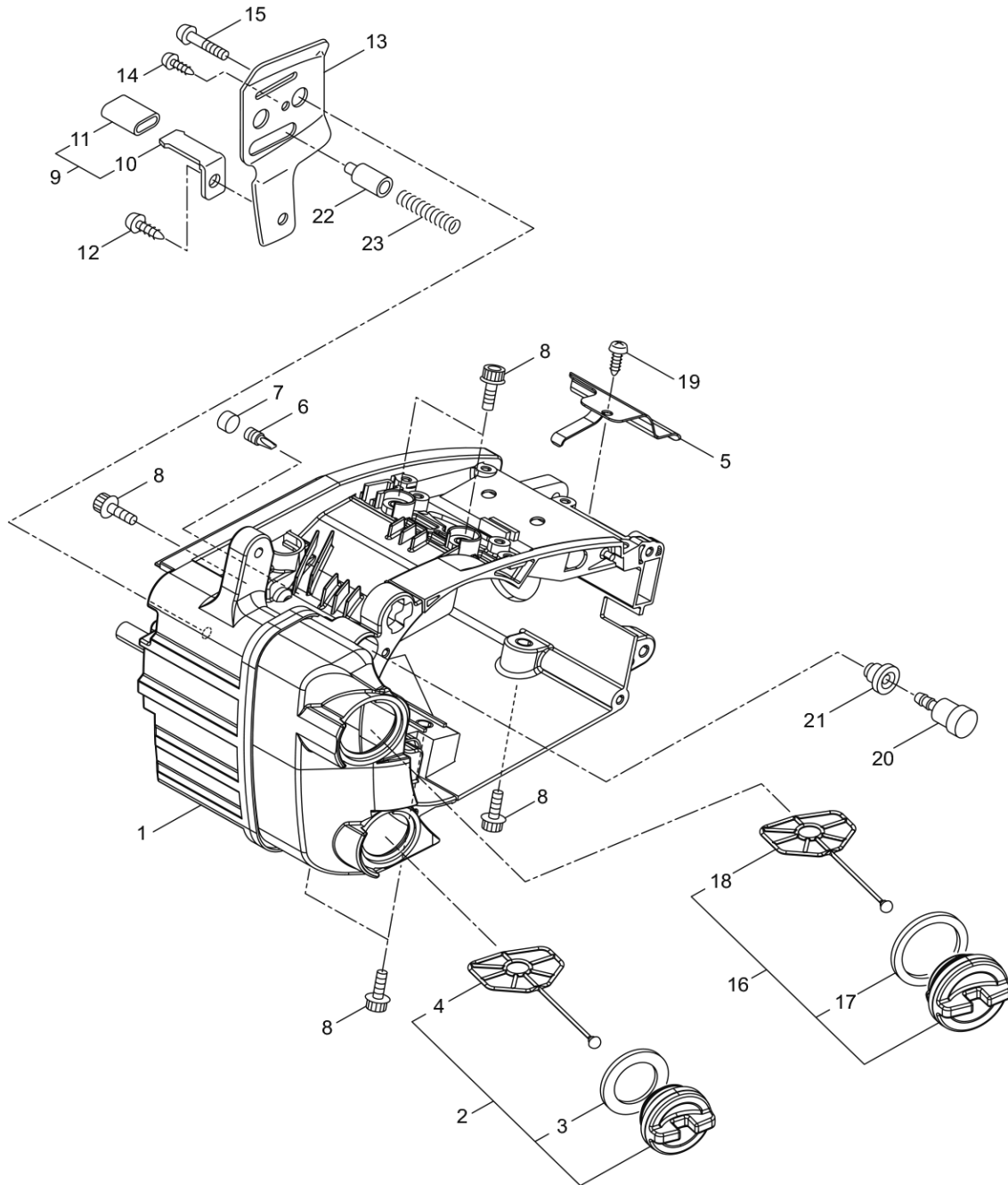
3. MCV3101S(14)-01  
CARBURETOR



Status	Position	Parts Number	Parts Name	Unit Quantity	Set Unit Quantity	Specification	Remarks	Maker code
	1	285488	FUEL PIPE ASSY	1			Incl.2-6	
	2	285489	PIPE ASSY	1			Incl.3,4	
	3	285490	FUEL GROMMET	1				
	4	285491	FUEL PIPE A 3X5 L=222	1		3X5X222L	3x5x222L	
	5	261117	CLIP	2				
	6	286749	FILTER ASSY	1		WB125-527		
	7	282299	PRIMER	1				
	8	285492	FUEL PIPE B 2.4X5 L=145	1		2.4X5X145L	2.4x5x145L	
	9	289500	CARBURETOR ASSY	1		WT-1062	Incl.10-38	
	10	261872	SCREEN	1		WB140-70		
	11	287168	PUMP COVER	1		WB21-339		
	12	287169	SCREW	1		WB96-166		
	13	287170	DIAPHRAGM	1		WB95-89		
	14	287171	GASKET	1		WB92-225		
	15	262986	NEEDLE VALVE	1		WB82-82		
	16	263727	GASKET	1		WB92-192		
	17	287172	SPRING	1		WB98-3255		
	18	283905	DIAPHRAGM METERRING	1		WB95-614		
	19	263726	COVER PLATE	1		WB21-158		
	20	287173	SCREW	1		WB96-156		
	21	262989	LEVER PIN	1		WB144-77		
	22	262990	LEVER	1		WB166-48		
	23	287174	PLUG	1		WB88-171		
	24	287191	LEVER	1		WB166-111		
	25	287192	SCREW	4		WB96-589		
	26	287178	SPRING	1		WB98-455		
	27	287179	IDLE ADJUST SCREW	1		WB96-369		
	28	287180	SCREW	2		WB96-475		
	29	287181	LEVER	1		WB18-3073		
	30	287182	RING	2		WB16-73		
	31	287183	THROTTLE VALVE	1		WB34-64		
	32	287184	SCREW	1		WB96-3240		
	33	287185	SPRING	1		WB98-494		
	34	287186	SHAFT	1		WB30-1382		
	35	287187	CHOKE PLATE	1		WB62-101		
	36	287188	SPRING	1		WB98-3240		
	37	287189	WASHER	1		WB136-90		
	38	287190	SHAFT	1		WB40-1026		
	39	288551	RING	1				
	40	285497	PLATE	1				
	41	285618	BOLT M4X12	2	5	M4X12	M4x12	
	42	285631	SCREW M4X16	2	5	M4X16 ⅞"イト"	M4x16	
	43	285505	BOOT COMPLETE	1				
	44	285633	SCREW M5X45	2	5	M5X45	M5x45	
	45	285631	SCREW M4X16	1	5	M4X16 ⅞"イト"	M4x16	
	46	285507	ELEMENT	1		ワヨワ3T		
	47	285508	DUCT	1				
	48	285512	CLEANER COVER	1				
	49	285540	KNOB	1		ワカ		
	50	285495	INSULATOR	1				

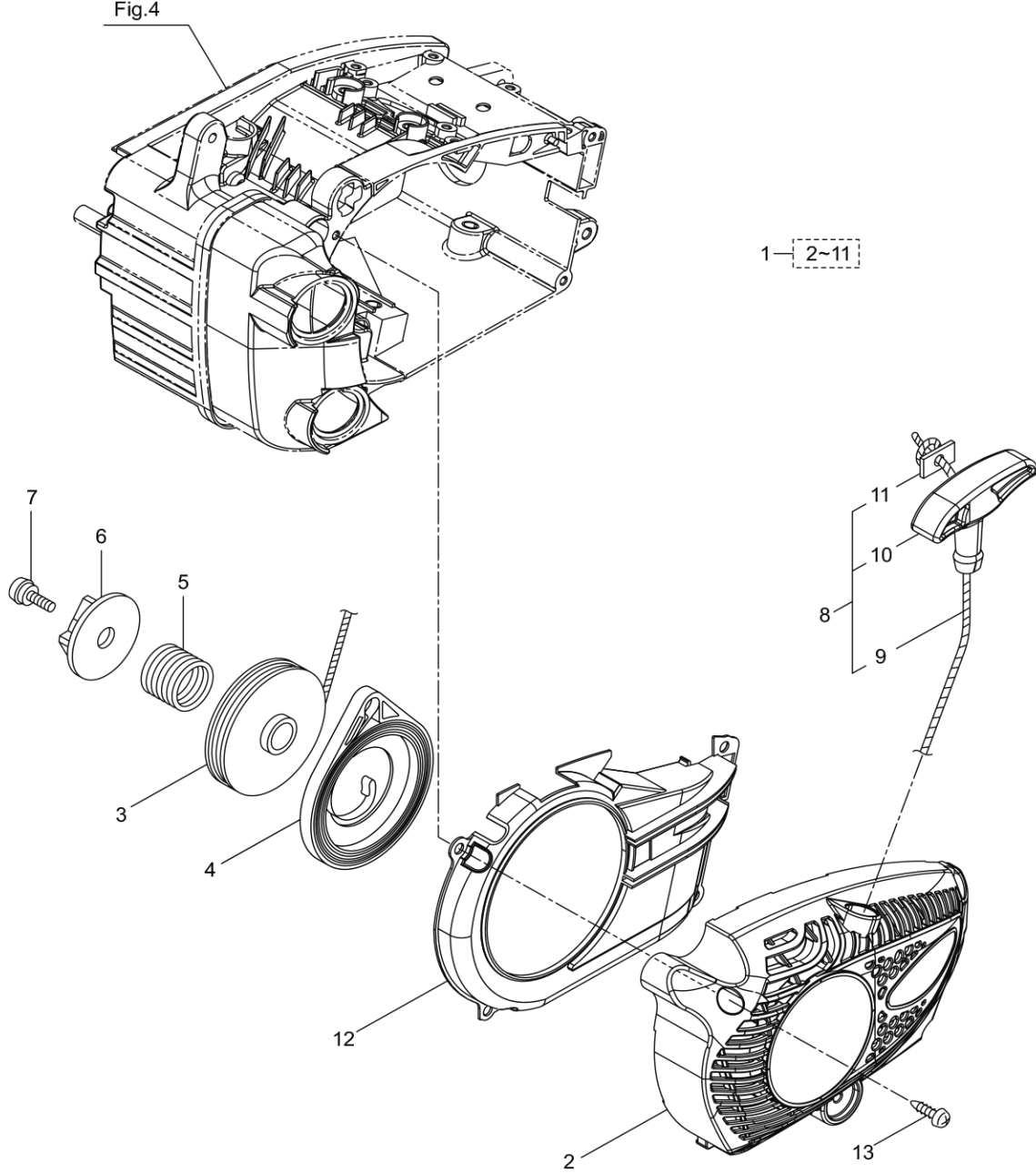


4. MCV3101S(14)-01  
ENGINE CASE



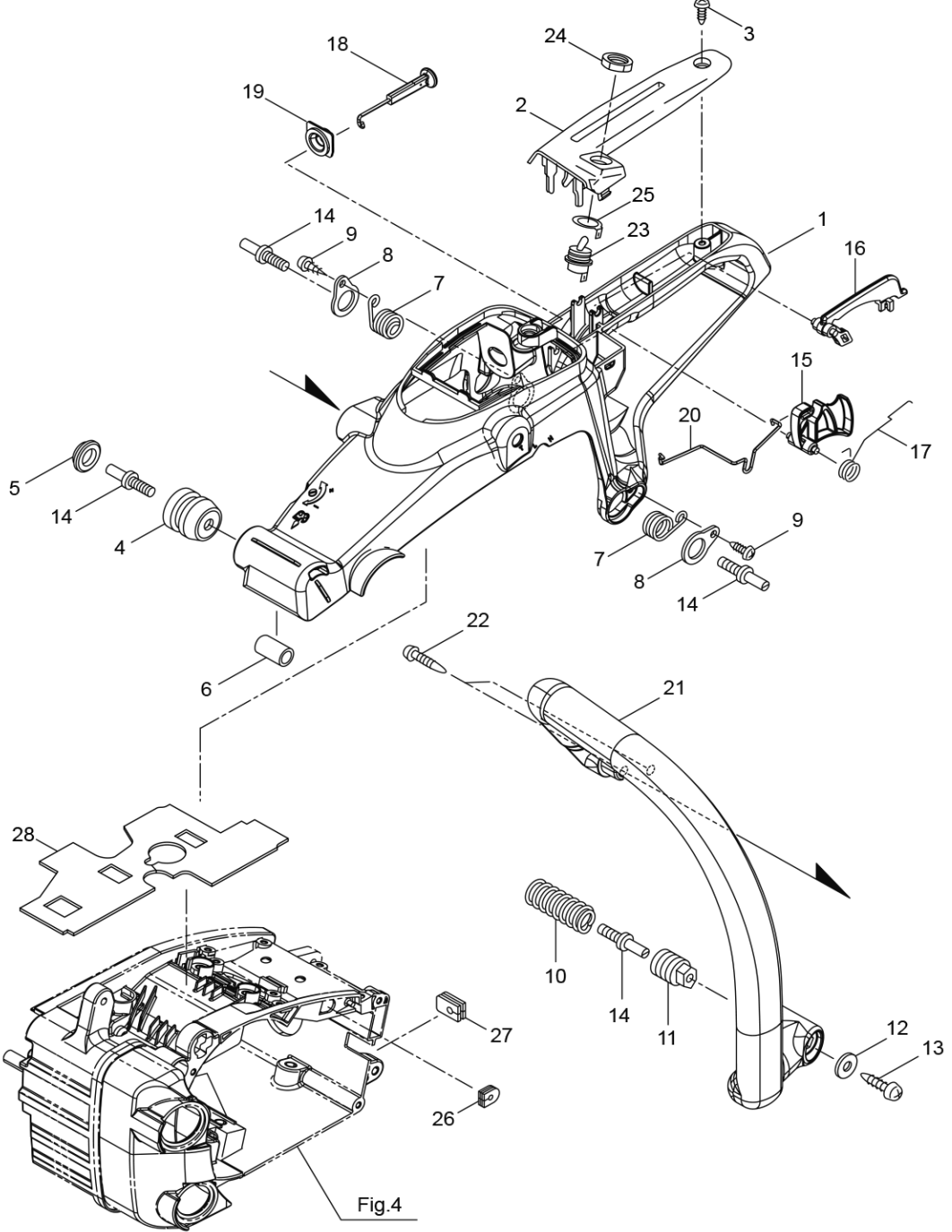
Status	Position	Parts Number	Parts Name	Unit Quantity	Set Unit Quantity	Specification	Remarks	Maker code
	1	285703	COVER COMPLETE	1		シフトウヨウチヤク		
	2	285501	OIL CAP ASSY	1			Incl.3,4	
	3	285503	PACKING	1				
	4	285504	HOLDER	1				
	5	287667	PROTECTOR	1		SPCC		
	6	285574	BREATHER	1				
	7	285526	ELEMENT	1		50 BSIハ <sup>ゝ</sup> -ヲト		
	8	285632	BOLT M5X16	6	5	M5X16	M5x16	
	9	286803	CHAIN CATCHER ASSY	1			Incl.10,11	
	10	285583	CHAIN CATCHER	1		A5052P T3.0		
	11	285585	TUBE 7X10.5 L=18	1		7X10.5X18L	7x10.5x18L	
	12	285634	SCREW M5X14	1	5	M5X14 ハ <sup>ゝ</sup> イト <sup>ゝ</sup>	M5x14	
	13	285531	GUIDE PLATE L	1		Lハ <sup>ゝ</sup> -ヲト0.4		
	14	285627	SCREW M3X8	1	10	M3X8 ハ <sup>ゝ</sup>	M3x8	
	15	286804	SCREW M5X20X8	1	5	M5X20X8	M5x20x8	
	16	286051	FUEL CAP ASSY	1			Incl.17,18	
	17	286063	PACKING	1		1イヅ		
	18	285504	HOLDER	1				
	19	285635	SCREW M4X14	1	5	M4X14 ハ <sup>ゝ</sup> 2シ	M4x14	
	20	285832	BREATHER ASSY	1				
	21	285573	BREATHER GROMMET	1				
	22	285628	CAP	1	5			
	23	285629	SPRING	1	5	0.4X5.5X28.8L		

5. MCV3101S(14)-01  
RECOIL STARTER



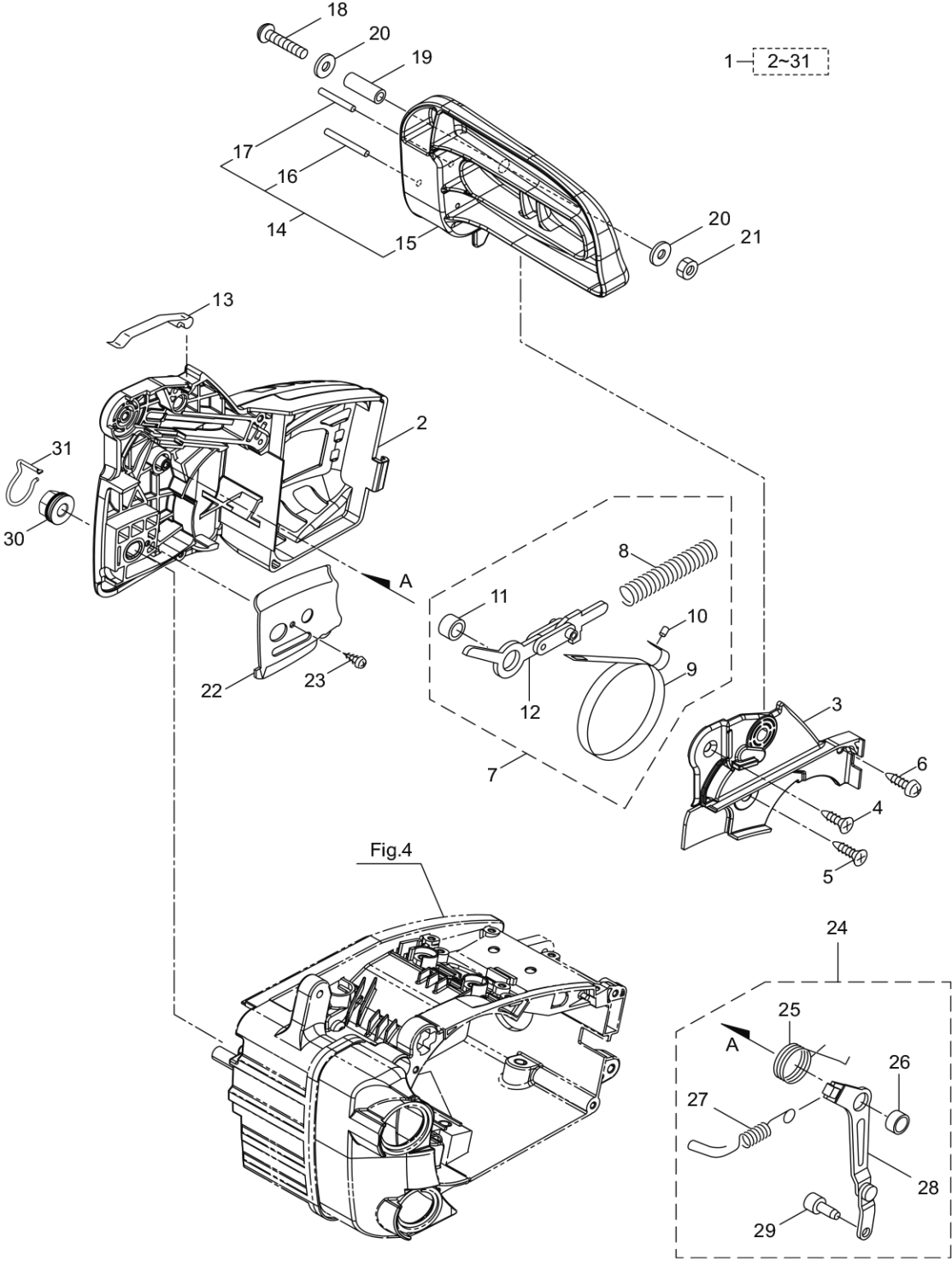
Status	Position	Parts Number	Parts Name	Unit Quantity	Set Unit Quantity	Specification	Remarks	Maker code
	1	285577	STARTER ASSY	1		ﾀﾞﾝﾊﾟｰｽﾀｰﾃﾞｨﾝｸﾞ	Incl.2-11	
	2	285695	STARTER COVER COMPLETE	1		ﾌｶ		
	3	283274	REEL	1				
	4	283275	SPRING ASSY	1				
	5	283276	DAMPER SPRING	1				
	6	285597	CAM PLATE	1				
	7	267213	SCREW	1				
	8	285697	ROPE ASSY	1			Incl.9-11	
	9	283279	STARTER ROPE	1				
	10	285581	STARTER KNOB	1				
	11	283281	ROPE STOPPER	1				
	12	285548	FAN COVER	1				
	13	285631	SCREW M4X16	4	5	M4X16 ﾈｯﾄ	M4x16	

6. MCV3101S(14)-01  
HANDLE



Status	Position	Parts Number	Parts Name	Unit Quantity	Set Unit Quantity	Specification	Remarks	Maker code
	1	285513	REAR HANDLE	1				
	2	285514	HANDLE COVER	1				
	3	285631	SCREW M4X16	1	5	M4X16 ハﾟｲﾝﾄﾞ	M4x16	
	4	285582	BUFFER	1		ﾌﾟﾚｰﾄｯｷ		
	5	285473	CAP	1	5			
	6	285515	PIPE	1		ｸﾞﾗ		
	7	285592	SPRING	2		SWP 2		
	8	285645	STAY	2				
	9	285644	SCREW M4X12	2	5	M4X12 ハﾟｲﾝﾄﾞ	M4x12	
	10	285593	SPRING	1		3.0		
	11	285604	BOSS	1		ﾎﾟｯｼﾞﾝｸﾞｷｯｸヨウ		
	12	263743	WASHER 5.7X15.8XT2	1	10	5.7X15.8XT2ﾍﾟﾗ	5.7x15.8xt2	
	13	285636	SCREW M5X20	1	5	M5X20 ﾏﾞﾙ 2ｼ1	M5x20	
	14	285474	STOPPER BOLT	4		ﾄﾞﾗｲﾌﾞﾈｯｼﾞ		
	15	285516	THROTTLE LEVER	1				
	16	285517	SAFETY LEVER	1				
	17	285518	SPRING	1				
	18	285509	CHOKE ROD	1				
	19	285510	GROMMET	1				
	20	285511	THROTTLE ROD	1				
	21	285519	FRONT HANDLE	1				
	22	285665	SCREW	2	5	M5X30 ﾏﾞﾙ 2ｼ1	M5x30	
	23	286873	STOP SWITCH	1		ﾄﾞﾗｲﾌﾞﾈｯｼﾞ		
	24	269582	NUT	1	5	M12X0.75ｶﾝﾈｸﾀﾞ	M12x0.75	
	25	286874	CONNECTOR	1				
	26	287300	GROMMET	1		HS50		
	27	285549	GROMMET	1				
	28	289097	GASKET	1				

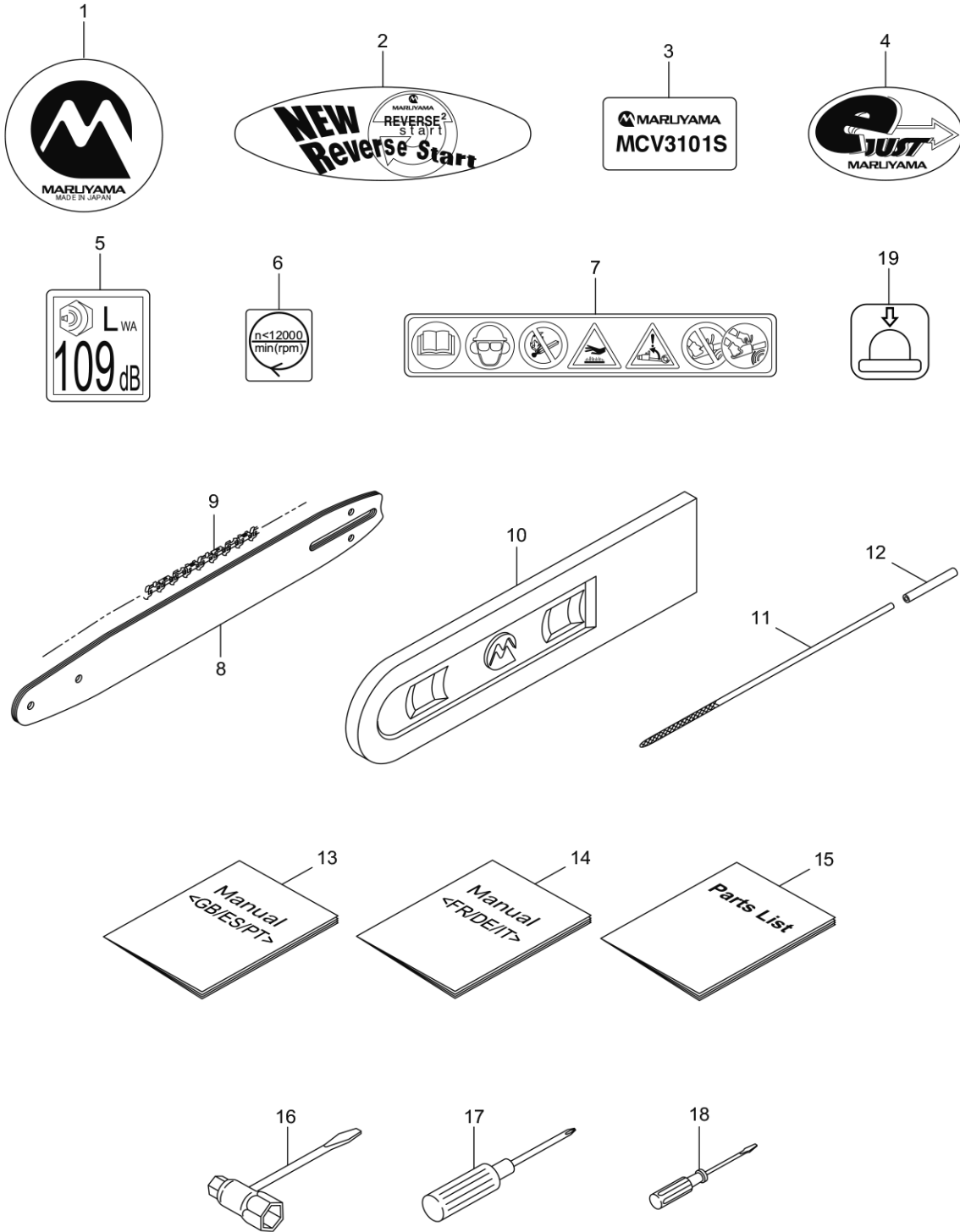
MCV3101S(14)-01  
7. CHAIN CASE



Status	Position	Parts Number	Parts Name	Unit Quantity	Set Unit Quantity	Specification	Remarks	Maker code
	1	247847	CHAIN CASE ASSY	1		カ ナツツキ EJ	Incl.2-31	
	2	285576	CHAIN COVER	1				
	3	285622	SIDE COVER	1				
	4	285637	SCREW M5X12	1	5	M5X12 ㍉	M5x12	
	5	285639	SCREW M4X14	1	5	M4X14 ㍉	M4x14	
	6	285644	SCREW M4X12	1	5	M4X12 ㍉ イント	M4x12	
	7	286823	BRAKE ASSY	1			Incl.8-12	
	8	285605	SPRING	1				
	9	285572	BAND	1				
	10	285560	PIN 3X9.8	1	5	3X9.8 コート ㍉	3x9.8	
	11	285606	COLLAR 8.2X12 L=7.2	1		8.2X12X7.2L	8.2x12x7.2L	
	12	285570	LEVER COMP.	1				
	13	285595	RETURN SPRING	1				
	14	286054	FRONT GUARD ASSY	1			Incl.15-17	
	15	286000	FRONT GUARD	1				
	16	285563	PIN 3X29.8	1		3X29.8	3x29.8	
	17	286048	PIN 3X23.8L	1	5	3X23.8L	3x23.8L	
	18	285638	SCREW M5X30	1	5	M5X30	M5x30	
	19	285607	COLLAR 5.2X7.5 L=22.5	1		5.2X7.5X22.5L	5.2x7.5x22.5L	
	20	286045	WASHER 5.3X15XT1.2	2	10	5.3X15X1.2	5.3x15x1.2	
	21	285640	NUT M5X0.8	1	5	M5X0.8	M5x0.8	
	22	285532	GUIDE PLATE R	1		㍉-ナット0.4		
	23	285627	SCREW M3X8	2	10	M3X8 ナット	M3x8	
	24	286034	TENTIONER ASSY	1			Incl.25-29	
	25	285596	SPRING	1				
	26	285608	COLLAR	1		7.4X10X5.5L	7.4x10x5.5L	
	27	289726	SPRING	1				
	28	285609	LINK COMPLETE	1				
	29	285614	BOSS	1				
	30	247471	NUT	1		フランジ ミツツキ		
	31	247492	CLIP	1		1.6ナット タツツキ ホウソウ		



MCV3101S(14)-01  
8. LABEL, ACCESSORIES



Status	Position	Parts Number	Parts Name	Unit Quantity	Set Unit Quantity	Specification	Remarks	Maker code
	1	287256	LABEL	1		58 MARUYAMA キン	MARUYAMA	
	2	287255	LABEL	1		REVERSE	REVERSE	
	3	273031	LABEL	1		MCV3101S	MCV3101S	
	4	287160	LABEL	1		E JUST MARUYAMA	E JUST	
	5	287394	LABEL	1		109DB		
	6	287616	LABEL	1		N<12000		
	7	287161	LABEL	1		コ-ション		
	8	286828	GUIDE BAR	1		14ｲ3/8ﾌﾙﾊﾞｰ		
	9	289538	CHAIN 91PX-52EC	1				806176MBP
	10	286840	CHAIN COVER	1		14ｲﾝﾁｸﾞﾗ		
	11	285729	FILE	1		ﾌﾙｺﾞﾝﾍﾞｲ		
	12	285730	FILE GRIP	1				
	13	274909		1		MCV3101SGBESPT	GB/ES/PT	
	14	274910		1		FR/DE/IT	FR/DE/IT	
	15	523849		1		MCV3101S(14)-01	MCV3101S(14)-01	
	16	288652	COMBI BOX SPANNER	1		13X19(-)L190	13x19 L=190	
	17	285732	SCREWDRIVER	1		2ﾊﾞﾝ		
	18	286865	SCREWDRIVER	1		ｷﾞｱﾌﾟﾚﾀﾞｲﾊﾞ		
	19	272020	LABEL	1		ﾌﾟﾗｲﾐﾝｸﾞ ﾎﾟﾝﾌﾟ		