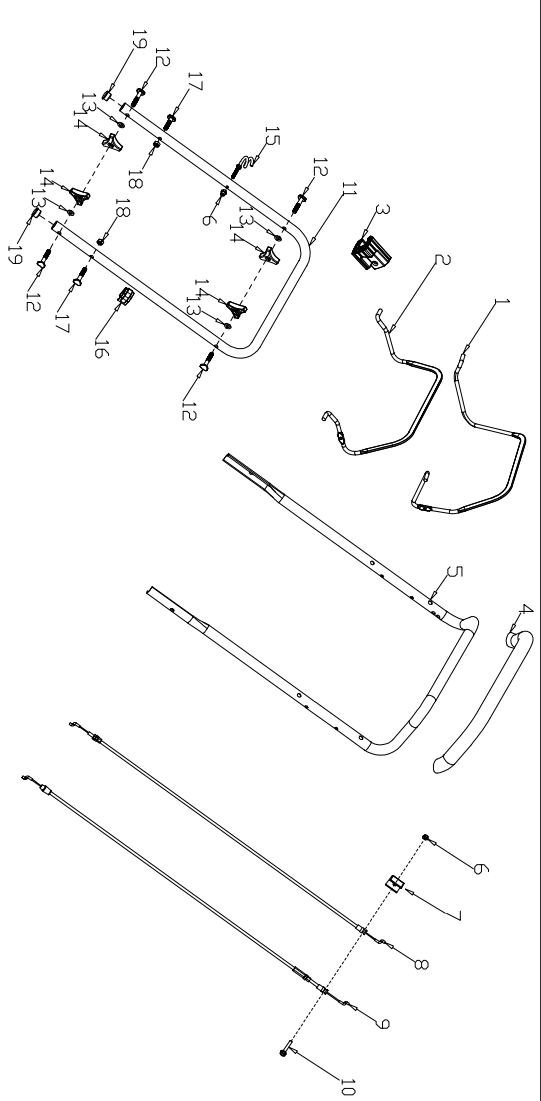
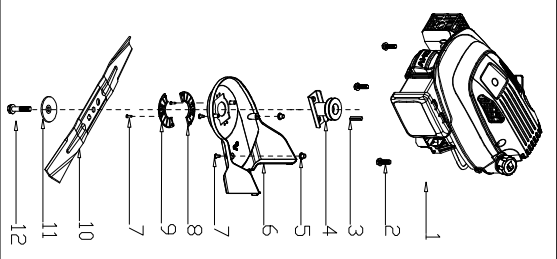


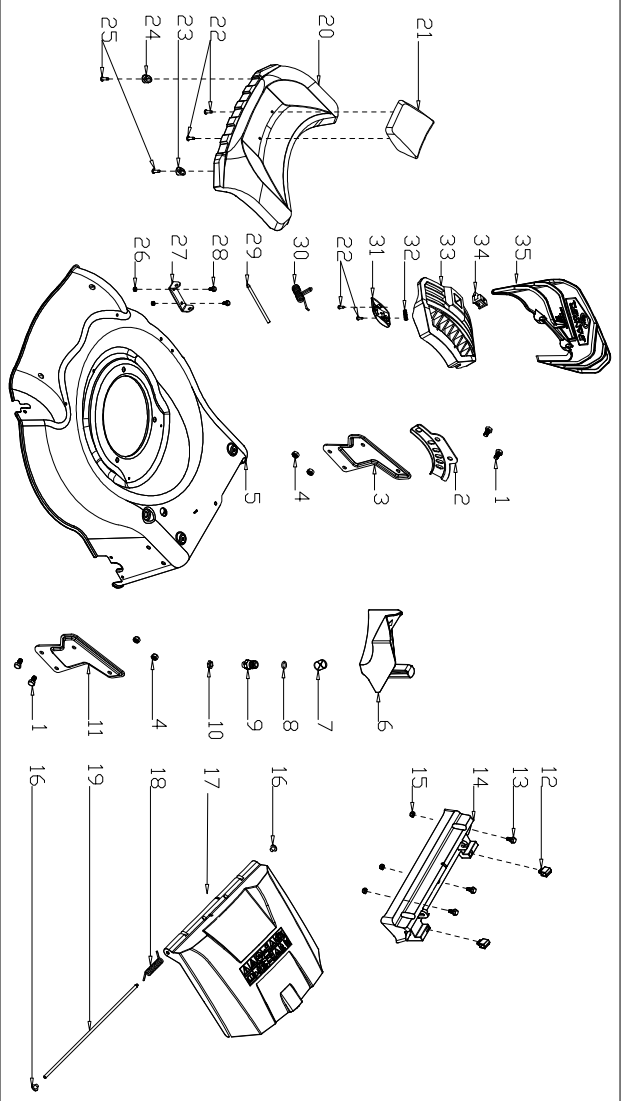
A



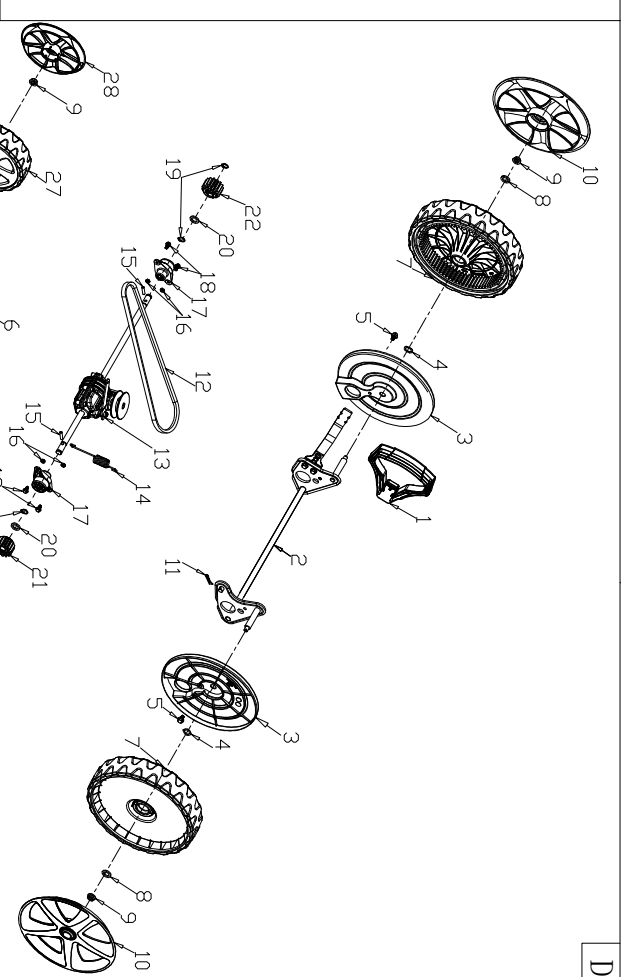
B



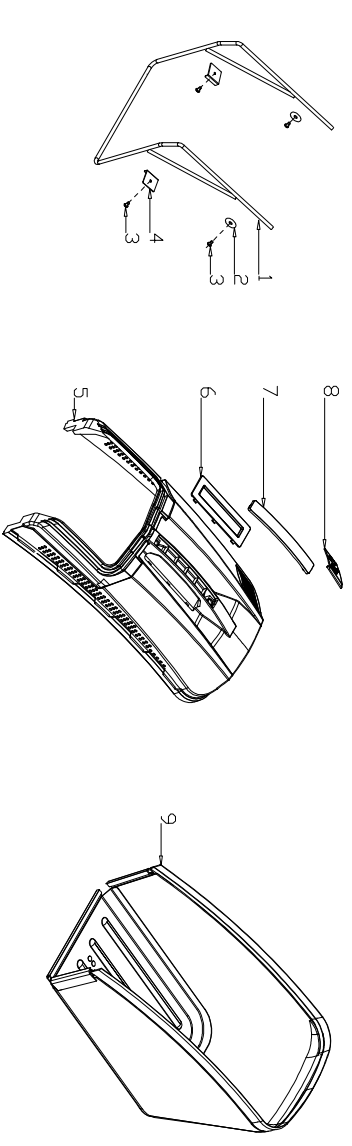
C



D



E



MODEL  
G51SHL-C

NO.200C3008