

# PARTS LIST

MCV3101TS(10)-01

## CONTENTS

1. ENGINE .....	1 ~ 2
2. OIL PUMP .....	3 ~ 4
3. CARBURETOR .....	5 ~ 8
4. ENGINE CASE .....	9 ~ 10
5. RECOIL STARTER .....	11 ~ 12
6. HANDLE .....	13 ~ 14
7. CHAIN CASE .....	15 ~ 16
8. LABEL, ACCESSORIES .....	17 ~ 18

2018. 12.

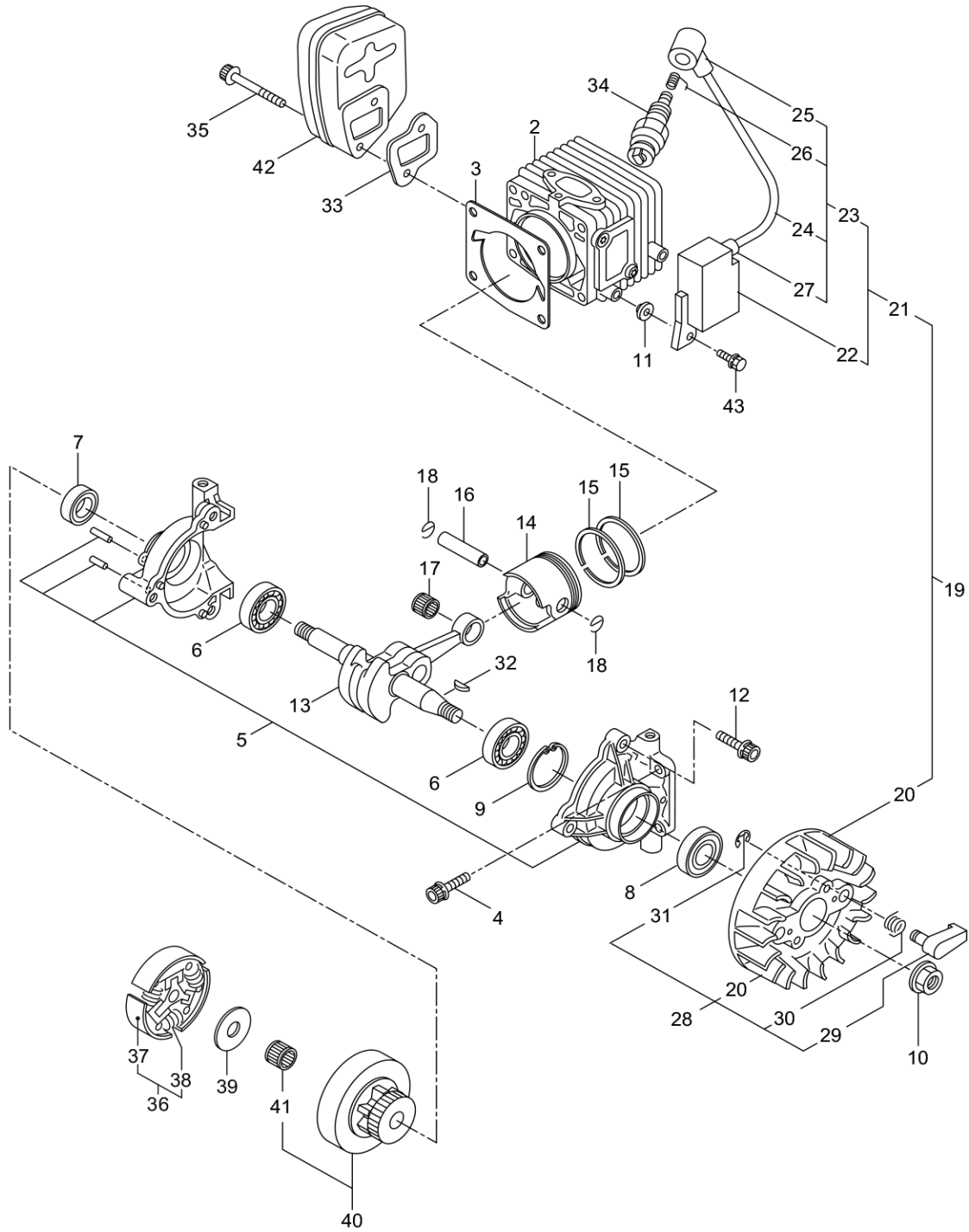


**MARUYAMA**

P/N 523846-5

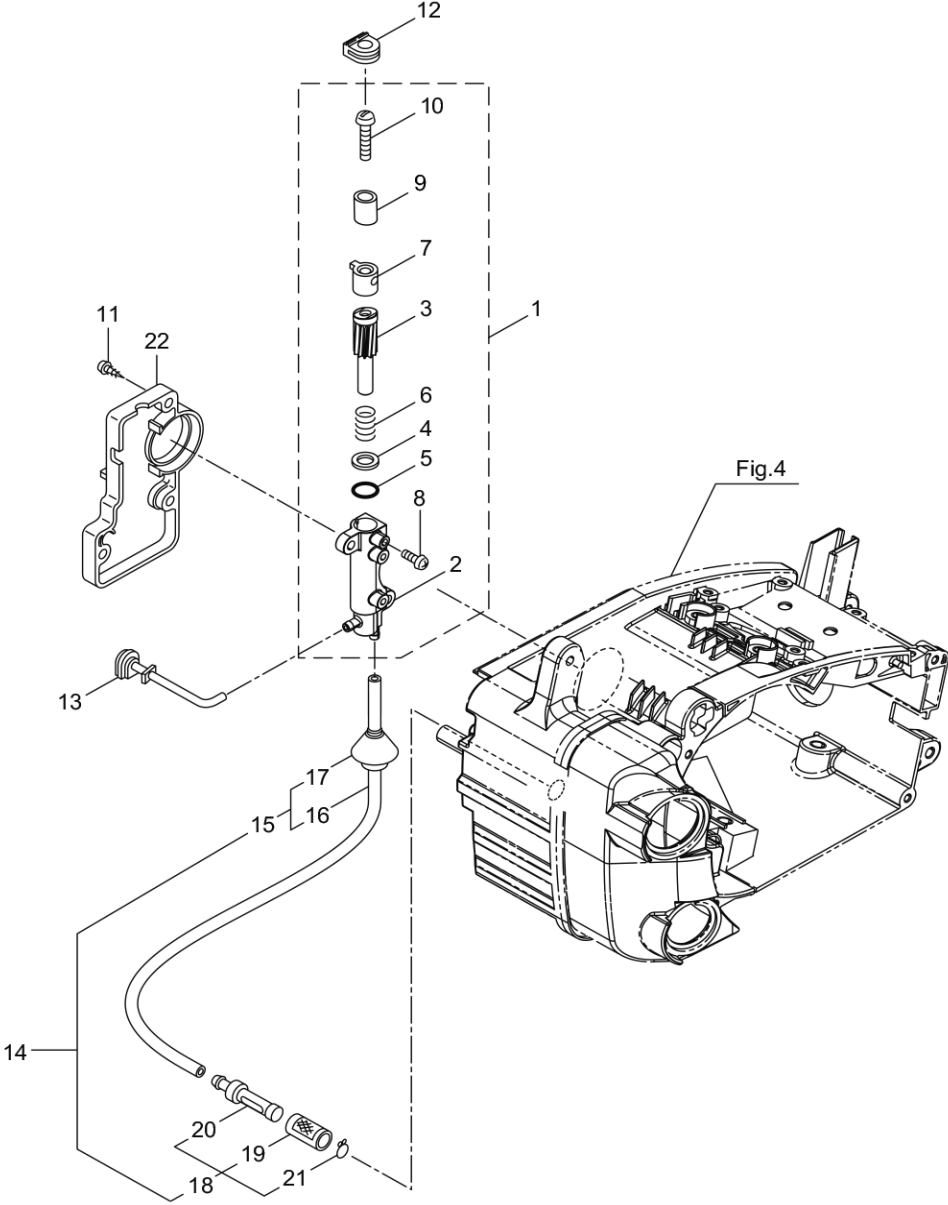


1. MCV3101TS(10)-01  
ENGINE



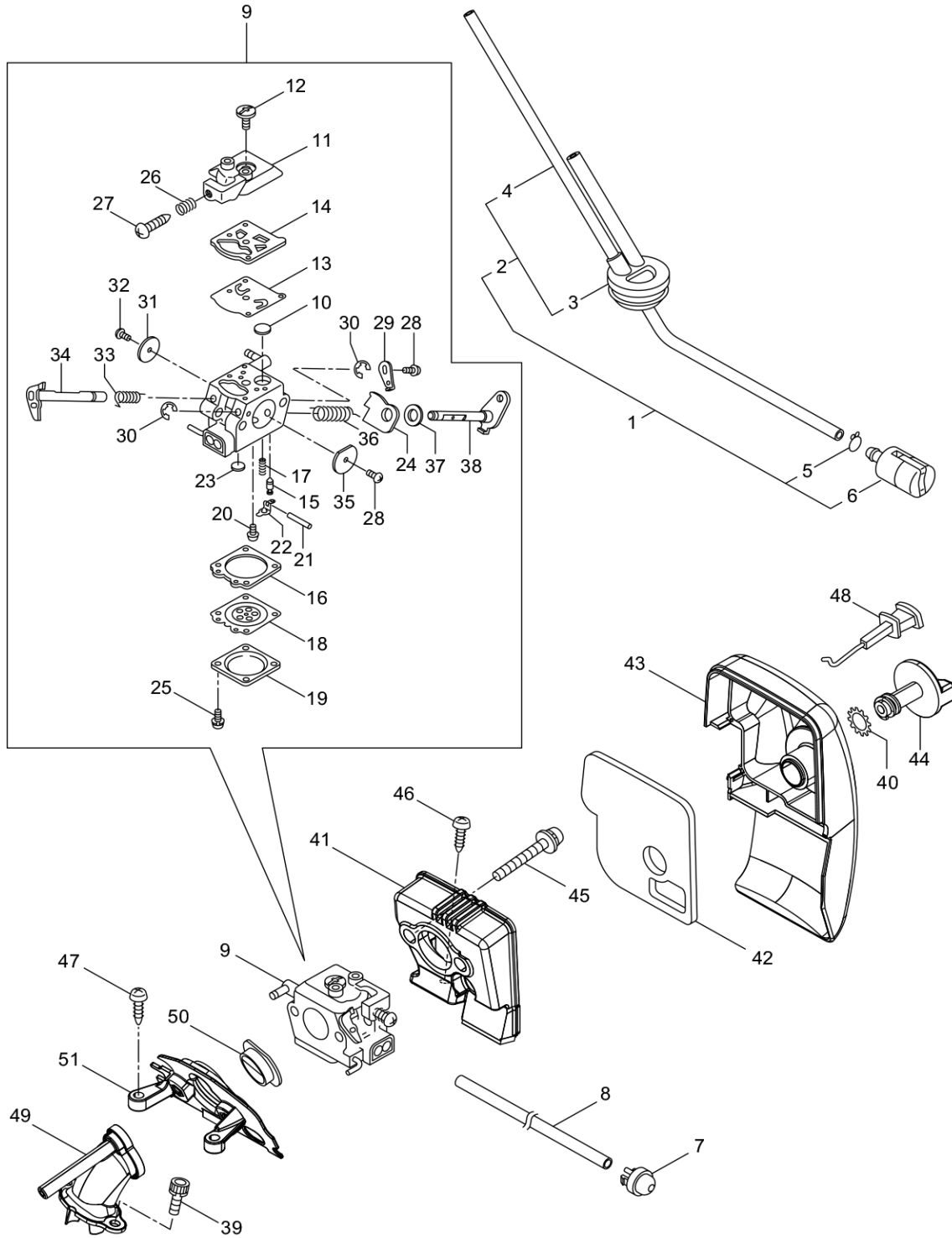
Status	Position	Parts Number	Parts Name	Unit Quantity	Set Unit Quantity	Specification	Remarks	Maker code
	1	362841	MCV3101TS(10)-01	1				
	2	279300	CYLINDER COMPLETE	1		ニツ°ルツキ		
	3	278403	GASKET	1		30CC CH/T1.2		
	4	261250	CAP SCREW	4	5	M5X20	M5x20	
	5	278868	CRANKCASE	1				
	6	285521	BEARING	2		6001X3JRXC3		
	7	285626	OIL SEAL	1		キンゾ°カ°イカ P		
	8	261492	OIL SEAL	1		ISCD12287カ°リスナシ	ISCD12287	
	9	055185	SNAP RING #28	1	5	アヲヨク28	H28	
	10	261417	NUT ROTOR M8	1	5	M8	M8	
	11	289481	SPACER	2	5	10X4.3T2.0		
	12	261232	CAP SCREW M5X20	3		M5X20L	M5x20	
	13	285599	CRANKSHAFT COMP.	1				
	14	273265	PISTON	1		MCV31		
	15	285590	PISTON RING	2		P111バ°-カライシ°ンカ°	P111	
	16	285591	PISTON PIN	1		5.7X8X30.5L		
	17	261037	BEARING NEEDLE KBK8X11X11.8X1	1		KBK8X11X11.8X1	KBK8x11x11.8x1	
	18	261576	CLIP PISTON	2				
	19	289489	MAGNETO ASSY	1			Incl.20-27	
	20	285555	MAGNETO ROTOR	1				
	21	289548	IGNITION COIL ASSY	1		テ°シ°タ	Incl.22-27	
	22	289650	COIL	1		10735-31553		
	23	286096	CORD ASSY	1			Incl.24-27	
	24	286097	CORD	1				
	25	261074	PLUG BOOT	1		10855-40131		
	26	261075	CONNECTOR	1		10805-40061		
	27	261072	CAP	1		イタ° 10855-40101		
	28	288365	ROTOR ASSY	1		MCT/MCR31	Incl.20,29-31	
	29	285553	STARTER PAWL	2				
	30	285552	SPRING	2				
	31	020299	E-RING #4	2	10	ヱ°4	#4	
	32	261076	WOODRUFF KEY 3X10	1	5	ア°1 3X10	3x10	
	33	285472	GASKET	1				
	34	288264	SPARK PLUG	1		NGK BPMR8Y	BPMR8Y	
	35	264223	CAP SCREW M5X40	2	5	M5X407	M5x40	
	36	285535	CLUTCH ASSY	1		ヒタ°リネシ° M8XP=1.0	Incl.37,38	
	37	285655	CLUTCH SHOE	3				
	38	285656	SPRING	3				
	39	285537	WASHER 8X26XT2	1	5	8X26XT2	8x26xt2	
	40	279858	CLUTCH DRUM SET(3/8)	1			Incl.41	
	41	278744	NEEDLE BEARING	1		KT101316E01C3	KT101316E01C3	
	42	276332	MUFFLER ASSY	1		ハイタ°4テ°ヨウセツ		
	43	281211	CAP SCREW M4X20	2	5	M4X20WSW	M4x20	

2. MCV3101TS(10)-01  
OIL PUMP



Status	Position	Parts Number	Parts Name	Unit Quantity	Set Unit Quantity	Specification	Remarks	Maker code
	1	278745	OILER	1		トッポリ-	Incl.2-10	
	2	285527	PUMP BODY	1				
	3	285909	WHEEL GEAR	1				
	4	286801	WASHER 6.5X9.8XT0.5	1		T0.5 6.5X9.8	t0.5 6.5x9.8	
	5	014759	O-RING P6	1	5	P6	P6	
	6	285551	SPRING	1	5			
	7	285534	PUMP CAP	1	5			
	8	285630	SCREW M3X8	1		M3X8	M3x8	
	9	288184	SLEEVE	1		6.6X4.2X8.4		
	10	285617	SCREW M4X25	1	5	M4X25 ナ"	M4x25	
	11	285631	SCREW M4X16	5	5	M4X16 ナ イト"	M4x16	
	12	285528	GROMMET	1				
	13	285522	OIL PIPE A	1				
	14	286802	OIL PIPE B ASSY	1			Incl.19-25	
	15	285523	OIL PIPE B ASSY	1			Incl.20,21	
	16	265725	PIPE L=220	1		220L	220L	
	17	261339	GROMMET	1				
	18	286818	OIL FILTER ASSY	1			Incl.23-25	
	19	285524	OIL FILTER	1				
	20	285525	OIL FILTER BODY	1				
	21	261117	CLIP	1				
	22	278743	PUMP COVER	1		ナナ28		

3. MCV3101TS(10)-01  
CARBURETOR



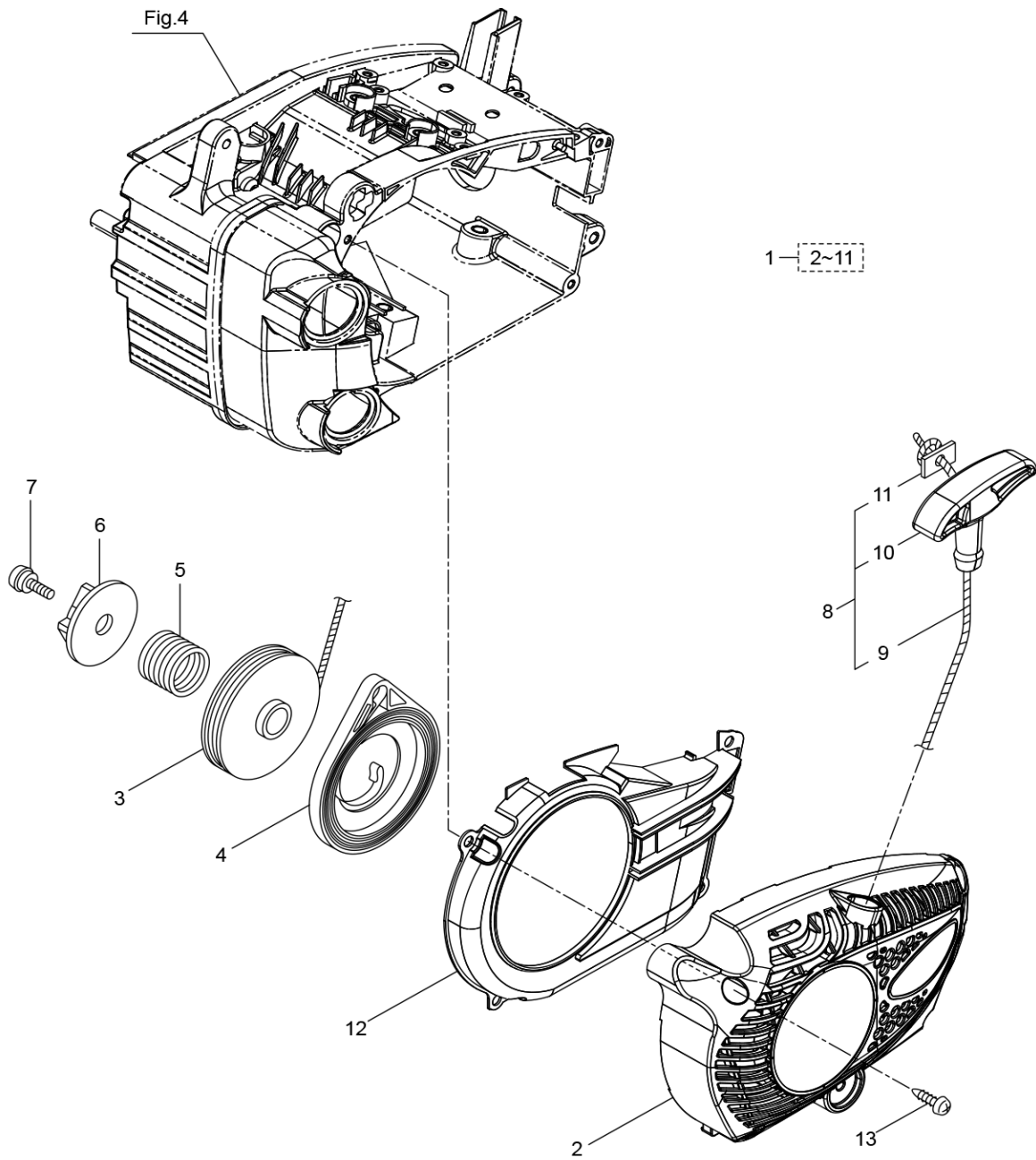
Status	Position	Parts Number	Parts Name	Unit Quantity	Set Unit Quantity	Specification	Remarks	Maker code
	1	285488	FUEL PIPE ASSY	1			Incl.2-6	
	2	285489	PIPE ASSY	1			Incl.3,4	
	3	285490	FUEL GROMMET	1				
	4	285491	FUEL PIPE A 3X5 L=222	1		3X5X222L	3x5x222L	
	5	261117	CLIP	2				
	6	286749	FILTER ASSY	1		WB125-527		
	7	282299	PRIMER	1				
	8	285492	FUEL PIPE B 2.4X5 L=145	1		2.4X5X145L	2.4x5x145L	
	9	289500	CARBURETOR ASSY	1		WT-1062	Incl.10-38	
	10	261872	SCREEN	1		WB140-70		
	11	287168	PUMP COVER	1		WB21-339		
	12	287169	SCREW	1		WB96-166		
	13	287170	DIAPHRAGM	1		WB95-89		
	14	287171	GASKET	1		WB92-225		
	15	262986	NEEDLE VALVE	1		WB82-82		
	16	263727	GASKET	1		WB92-192		
	17	287172	SPRING	1		WB98-3255		
	18	283905	DIAPHRAGM METERRING	1		WB95-614		
	19	263726	COVER PLATE	1		WB21-158		
	20	287173	SCREW	1		WB96-156		
	21	262989	LEVER PIN	1		WB144-77		
	22	262990	LEVER	1		WB166-48		
	23	287174	PLUG	1		WB88-171		
	24	287191	LEVER	1		WB166-111		
	25	287192	SCREW	4		WB96-589		
	26	287178	SPRING	1		WB98-455		
	27	287179	IDLE ADJUST SCREW	1		WB96-369		
	28	287180	SCREW	2		WB96-475		
	29	287181	LEVER	1		WB18-3073		
	30	287182	RING	2		WB16-73		
	31	287183	THROTTLE VALVE	1		WB34-64		
	32	287184	SCREW	1		WB96-3240		
	33	287185	SPRING	1		WB98-494		
	34	287186	SHAFT	1		WB30-1382		
	35	287187	CHOKE PLATE	1		WB62-101		
	36	287188	SPRING	1		WB98-3240		
	37	287189	WASHER	1		WB136-90		
	38	287190	SHAFT	1		WB40-1026		
	39	285618	BOLT M4X12	2	5	M4X12	M4x12	
	40	288404	WASHER	1	5	ワッシャカネ止 12		
	41	285539	CLEANER BODY	1				
	42	285584	ELEMENT	1		ワヨウ3T		
	43	285579	CLEANER COVER	1				
	44	285540	KNOB	1		ワカ		
	45	285633	SCREW M5X45	2	5	M5X45	M5x45	
	46	285631	SCREW M4X16	1	5	M4X16 ｼﾞﾝﾄﾞ	M4x16	
	47	285631	SCREW M4X16	2	5	M4X16 ｼﾞﾝﾄﾞ	M4x16	
	48	285580	CHOKE ROD	1		ロッド		
	49	285495	INSULATOR	1				
	50	288551	RING	1				
	51	285497	PLATE	1				





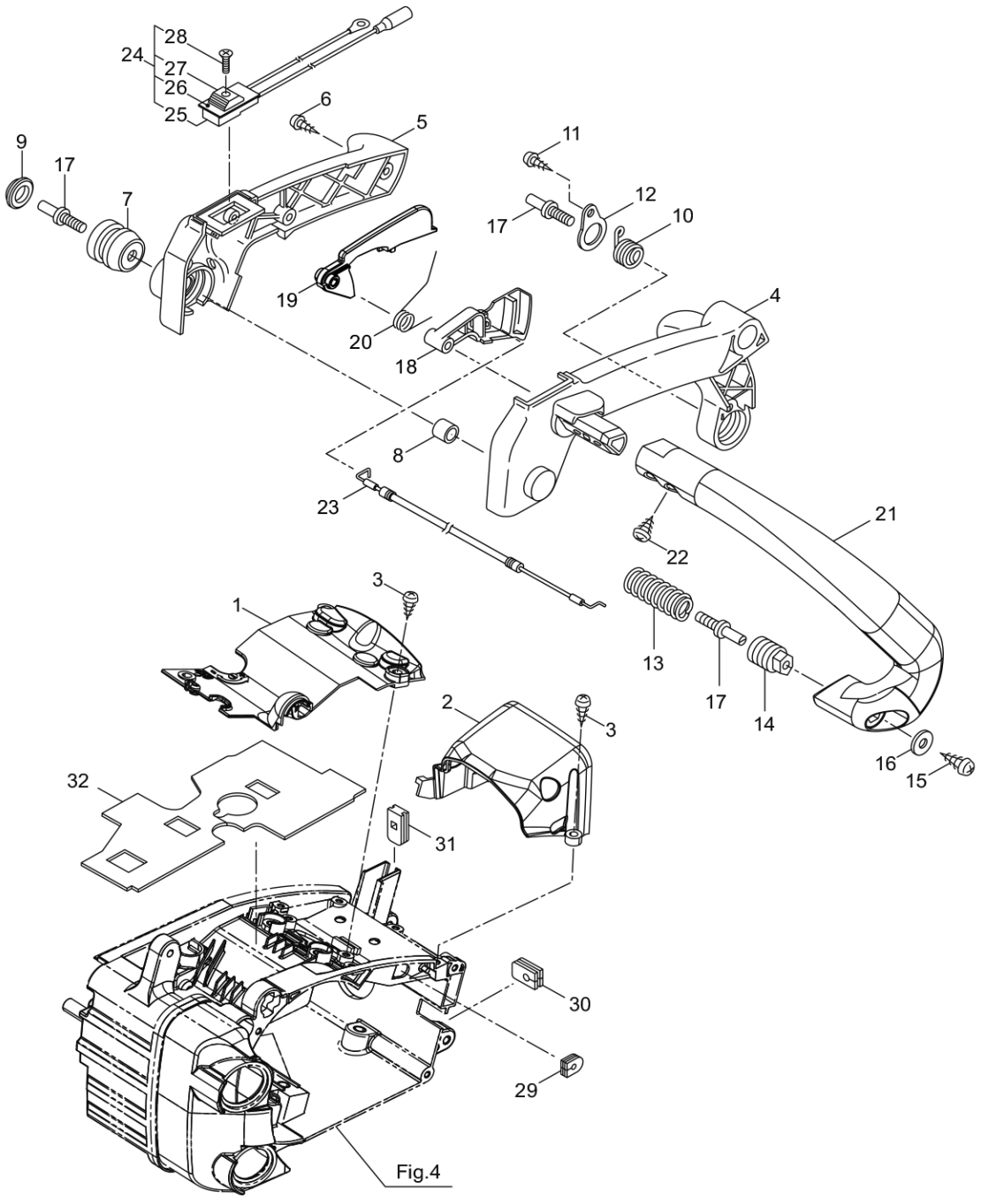
Status	Position	Parts Number	Parts Name	Unit Quantity	Set Unit Quantity	Specification	Remarks	Maker code
	1	285694	ENGINE CASE ASSY	1		シフトウヨウヤク		
	2	285501	OIL CAP ASSY	1			Incl.3,4	
	3	285503	PACKING	1				
	4	285504	HOLDER	1				
	5	285574	BREATHER	1				
	6	285526	ELEMENT	1		50 BSIﾊﾞｰﾗｲﾄ		
	7	285632	BOLT M5X16	6	5	M5X16	M5x16	
	8	286803	CHAIN CATCHER ASSY	1			Incl.9,10	
	9	285583	CHAIN CATCHER	1		A5052P T3.0		
	10	285585	TUBE 7X10.5 L=18	1		7X10.5X18L	7x10.5x18L	
	11	285634	SCREW M5X14	1	5	M5X14 ﾈｯﾄ	M5x14	
	12	285531	GUIDE PLATE L	1		Lﾊﾞｰﾗｲﾄ0.4		
	13	285627	SCREW M3X8	1	10	M3X8 ﾈｯﾄ	M3x8	
	14	286804	SCREW M5X20X8	1	5	M5X20X8	M5x20x8	
	15	286051	FUEL CAP ASSY	1			Incl.16,17	
	16	286063	PACKING	1		1ｲﾝﾁ		
	17	285504	HOLDER	1				
	18	285832	BREATHER ASSY	1				
	19	285573	BREATHER GROMMET	1				
	20	285628	CAP	1	5			
	21	285629	SPRING	1	5	0.4X5.5X28.8L		

5. MCV3101TS(10)-01  
RECOIL STARTER



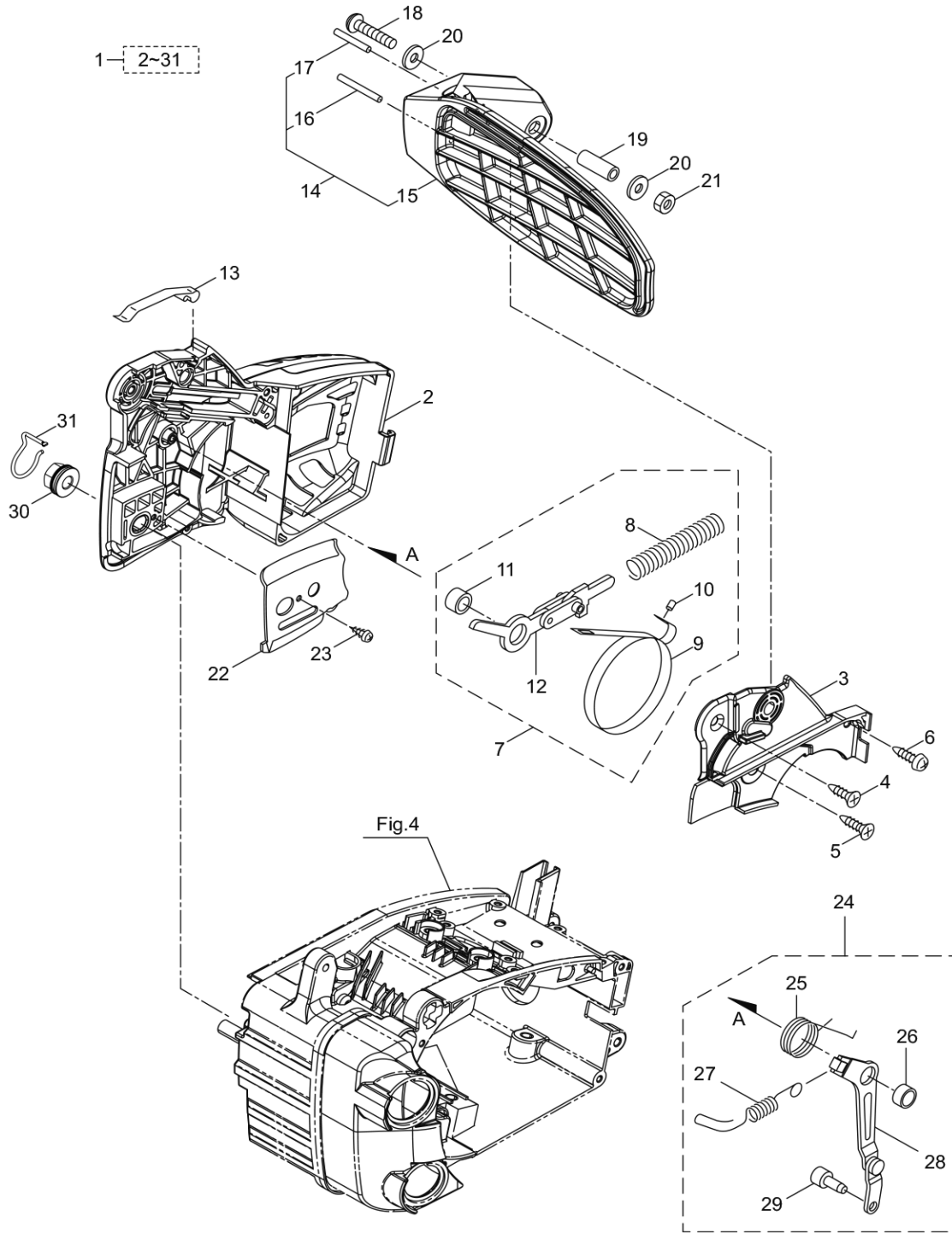
Status	Position	Parts Number	Parts Name	Unit Quantity	Set Unit Quantity	Specification	Remarks	Maker code
	1	285577	STARTER ASSY	1		ﾀﾞﾝﾊﾟｰｽﾀｰﾃｲﾝｸﾞ	Incl.2-11	
	2	285695	STARTER COVER COMPLETE	1		ﾌｶ		
	3	283274	REEL	1				
	4	283275	SPRING ASSY	1				
	5	283276	DAMPER SPRING	1				
	6	285597	CAM PLATE	1				
	7	267213	SCREW	1				
	8	285697	ROPE ASSY	1			Incl.9-11	
	9	283279	STARTER ROPE	1				
	10	285581	STARTER KNOB	1				
	11	283281	ROPE STOPPER	1				
	12	285548	FAN COVER	1				
	13	285631	SCREW M4X16	4	5	M4X16 ﾈｯﾄ	M4x16	

6. MCV3101TS(10)-01  
HANDLE



Status	Position	Parts Number	Parts Name	Unit Quantity	Set Unit Quantity	Specification	Remarks	Maker code
	1	285547	TOP COVER	1				
	2	286072	CARBURETOR COVER	1				
	3	285631	SCREW M4X16	5	5	M4X16 バ`イント`	M4x16	
	4	285620	TOP HANDLE CASE	1				
	5	285621	TOP HANDLE COVER	1				
	6	285635	SCREW M4X14	3	5	M4X14 ナハ` 2ｼ1	M4x14	
	7	285582	BUFFER	1		ﾌﾟﾚｰﾄｯｷ		
	8	285565	PIPE	1				
	9	285473	CAP	1	5			
	10	285592	SPRING	1		SWP 2		
	11	285644	SCREW M4X12	1	5	M4X12 バ`イント`	M4x12	
	12	285645	STAY	1				
	13	285593	SPRING	1		3.0		
	14	285604	BOSS	1		ホ`ウｼﾝｽｷｯｸヨウ		
	15	285636	SCREW M5X20	1	5	M5X20 ナハ` 2ｼ1	M5x20	
	16	263743	WASHER 5.7X15.8XT2	1	10	5.7X15.8XT2ﾋﾞﾗ	5.7x15.8xt2	
	17	285474	STOPPER BOLT	3		ﾄｯｸｼ1ﾈｼﾞ		
	18	285602	THROTTLE LEVER	1		ﾌｶ		
	19	285603	SAFETY LEVER	1		ﾌｶ		
	20	285594	SPRING	1				
	21	285619	SIDE HANDLE	1				
	22	285634	SCREW M5X14	2	5	M5X14 バ`イント`	M5x14	
	23	285558	CABLE COMP.	1		ｺﾞｺﾞｼﾞﾝ		
	24	286224	SWITCH ASSY	1		ｽｲｯﾁｼﾞ	Incl.25-28	
	25	286225	SWITCH	1				
	26	286226	LABEL	1				
	27	282171	KNOB	1				
	28	282172	SCREW	1	5			
	29	287300	GROMMET	1		HS50		
	30	285549	GROMMET	1				
	31	285642	GROMMET	1				
	32	286002	GASKET	1				

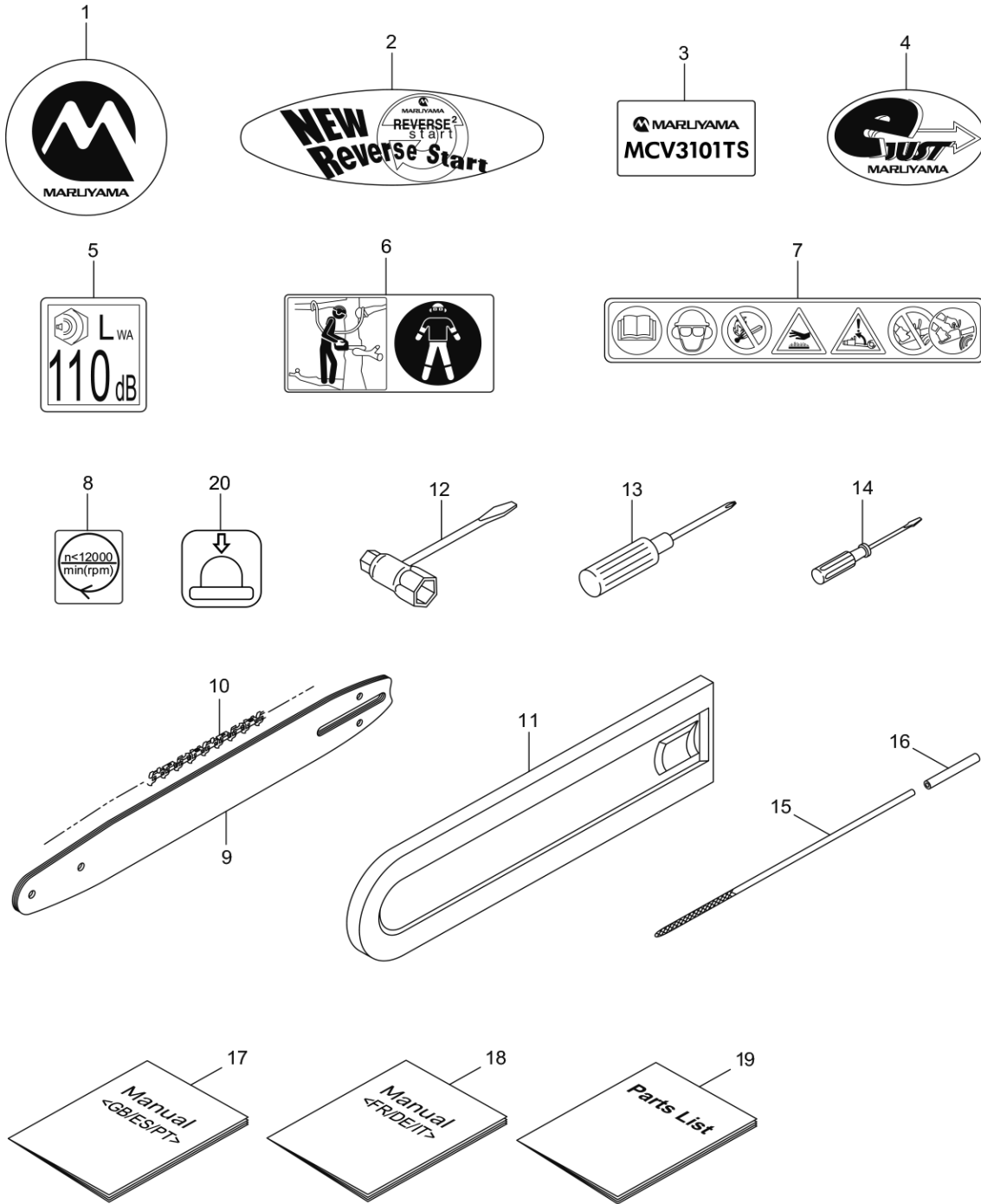
MCV3101TS(10)-01  
7. CHAIN CASE



Status	Position	Parts Number	Parts Name	Unit Quantity	Set Unit Quantity	Specification	Remarks	Maker code
	1	247839	CHAIN CASE ASSY	1		カチツキ EJ	Incl.2-31	
	2	285576	CHAIN COVER	1				
	3	285622	SIDE COVER	1				
	4	285637	SCREW M5X12	1	5	M5X12 ㍻	M5x12	
	5	285639	SCREW M4X14	1	5	M4X14 ㍻	M4x14	
	6	285644	SCREW M4X12	1	5	M4X12 ㍻ イト	M4x12	
	7	286823	BRAKE ASSY	1			Incl.8-12	
	8	285605	SPRING	1				
	9	285572	BAND	1				
	10	285560	PIN 3X9.8	1	5	3X9.8 コト ㍻	3x9.8	
	11	285606	COLLAR 8.2X12 L=7.2	1		8.2X12X7.2L	8.2x12x7.2L	
	12	285570	LEVER COMP.	1				
	13	285595	RETURN SPRING	1				
	14	286057	FRONT GUARD COMP.	1			Incl.15-17	
	15	285578	FRONT GUARD	1				
	16	285563	PIN 3X29.8	1		3X29.8	3x29.8	
	17	286048	PIN 3X23.8L	1	5	3X23.8L	3x23.8L	
	18	285638	SCREW M5X30	1	5	M5X30	M5x30	
	19	285607	COLLAR 5.2X7.5 L=22.5	1		5.2X7.5X22.5L	5.2x7.5x22.5L	
	20	286045	WASHER 5.3X15XT1.2	2	10	5.3X15X1.2	5.3x15x1.2	
	21	285640	NUT M5X0.8	1	5	M5X0.8	M5x0.8	
	22	285532	GUIDE PLATE R	1		㍻-ナイ0.4		
	23	285627	SCREW M3X8	2	10	M3X8 ナ	M3x8	
	24	286034	TENTIONER ASSY	1			Incl.25-29	
	25	285596	SPRING	1				
	26	285608	COLLAR	1		7.4X10X5.5L	7.4x10x5.5L	
	27	289726	SPRING	1				
	28	285609	LINK COMPLETE	1				
	29	285614	BOSS	1				
	30	283041	NUT M8	1	5	M8 ㍻ 13	M8	
	31	247492	CLIP	1		1.6ナツタ ㍻ ッラホ		



8. MCV3101TS(10)-01  
 LABEL, ACCESSORIES



Status	Position	Parts Number	Parts Name	Unit Quantity	Set Unit Quantity	Specification	Remarks	Maker code
	1	287256	LABEL	1		58 MARUYAMA キ ン	MARUYAMA	
	2	287255	LABEL	1		REVERSE	REVERSE	
	3	273029	LABEL	1		MCV3101TS	MCV3101TS	
	4	287160	LABEL	1		E JUST MARUYAMA	E JUST	
	5	273036	LABEL	1		110DB	110 dB	
	6	287653	LABEL	1		ホ <sup>ク</sup> グ <sup>ク</sup> ヲ <sup>ク</sup> イ		
	7	287161	LABEL	1		コ <sup>ク</sup> ソ <sup>ク</sup> ン		
	8	287616	LABEL	1		N<12000		
	9	285766	GUIDE BAR	1		1013/87ル <sup>ク</sup> マ <sup>ク</sup> マ <sup>ク</sup>		
	10	289536	CHAIN	1				806170MBP
	11	286044	CHAIN COVER	1		10 <sup>ク</sup> ヲ <sup>ク</sup> ク		
	12	288652	COMBI BOX SPANNER	1		13X19(-)L190	13x19 L=190	
	13	285732	SCREWDRIVER	1		2 <sup>ク</sup> バ <sup>ク</sup> ン		
	14	286865	SCREWDRIVER	1		キ <sup>ク</sup> マ <sup>ク</sup> レ <sup>ク</sup> タ <sup>ク</sup> ク		
	15	285729	FILE	1		ホ <sup>ク</sup> ソ <sup>ク</sup> ン <sup>ク</sup> セ <sup>ク</sup> イ		
	16	285730	FILE GRIP	1				
	17	274914		1		MCV3101T GBESPT		
	18	274915		1		MCV3101T FRDEIT		
	19	523846		1		MCV3101TS(10)01	MCV3101TS(10)-01	
	20	272020	LABEL	1		フ <sup>ク</sup> ラ <sup>ク</sup> イ <sup>ク</sup> ミ <sup>ク</sup> ン <sup>ク</sup> グ <sup>ク</sup> ホ <sup>ク</sup> ソ <sup>ク</sup> ン <sup>ク</sup> フ <sup>ク</sup>		